

Snow plough

Snow plough - variable model

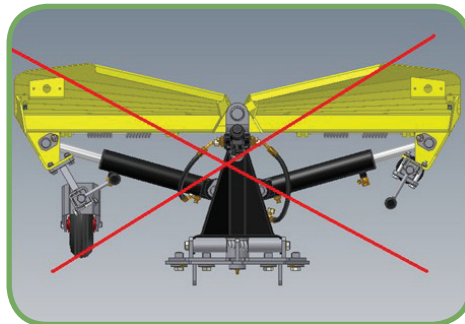
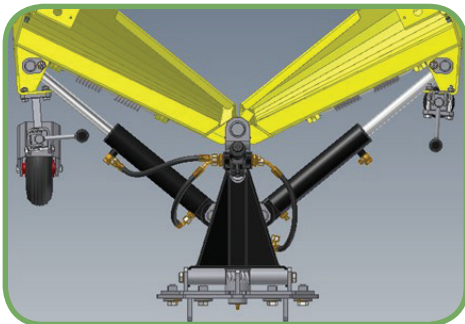
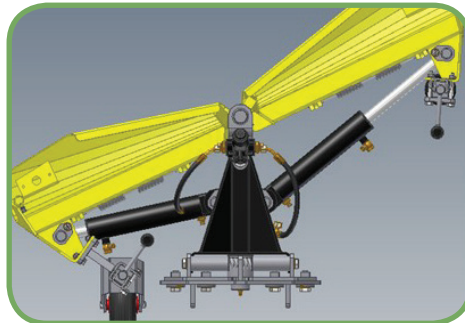
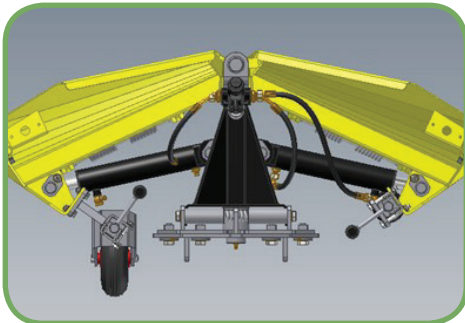
Type FS 1300 VL - FS 1600 VL



- To be used as point, - side- or V plough
- Hydraulic angling 26° both sides
- Electric switch option
- Flap shares secure at collision
- Skid pans standard or wheel option
- Replaceable rubber or steel shares

Technical data

	FS 1300 VL	FS 1600 VL
Largest width	1300 mm	1600 mm
Largest length	720 mm	720 mm
Effective share width at total angling	1172 mm	1465 mm
Swing - hydraulic	26° right/left - both sides independently	
Share type	Rubber as standard. When removed standard steel shares apply	
Number of flap shares	2	4
Skidpans	Standard	Standard
8" wheels	Optional	Optional
Flexible mounting	Optional	Optional
Warning flags	Optional	Optional
Warning lights	Optional	Optional
Weight	150 kg	180 kg



GMR

GMR maskiner a/s
Saturnvej 17 - DK 8700 Horsens

Phone +45 7564 3611
Fax +45 75645320
www.gmr.dk
stensalle@gmr.dk



Dealer: