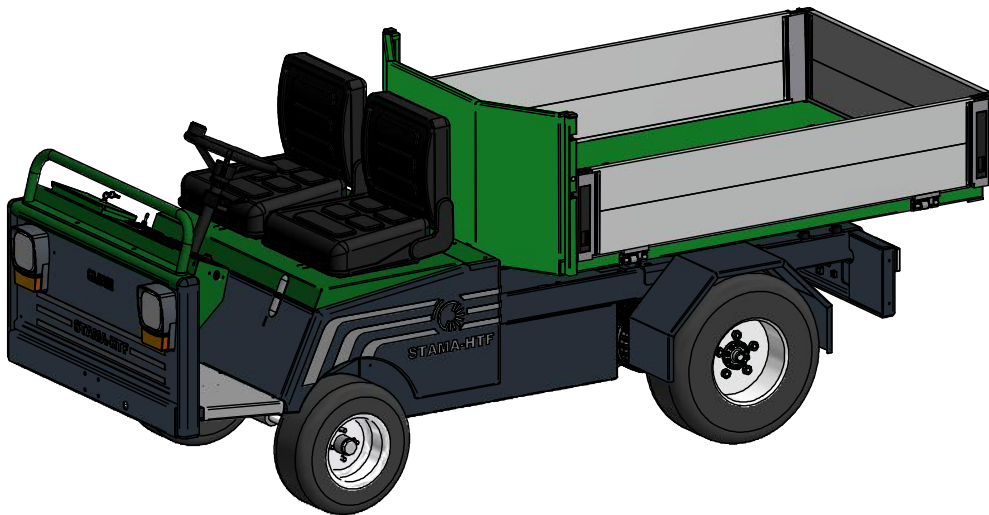


STAMA-HTF



Spare Parts
Ersatzteile
Reservedele
EVO-L 2017



GMR Maskiner a/s +45 7564 3611
Saturnvej 17
8700 Horsens
Danmark



WWW.GMR.DK

STAMA-HTF

STENSALLE

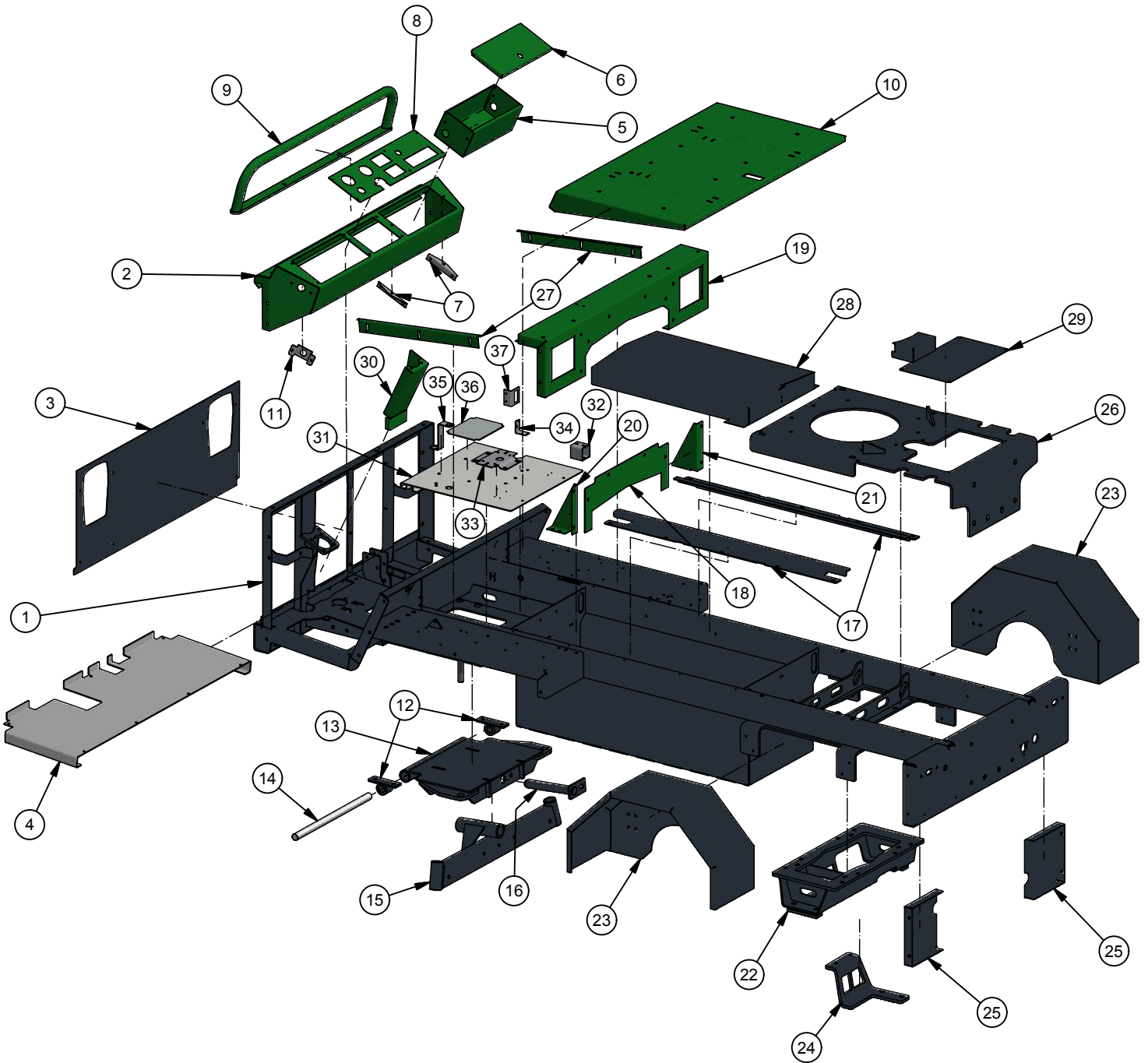
NESBO

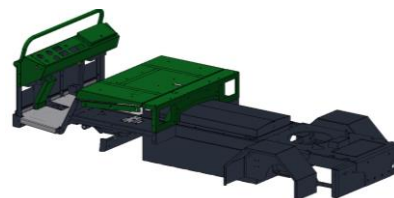
STAMA-HTF



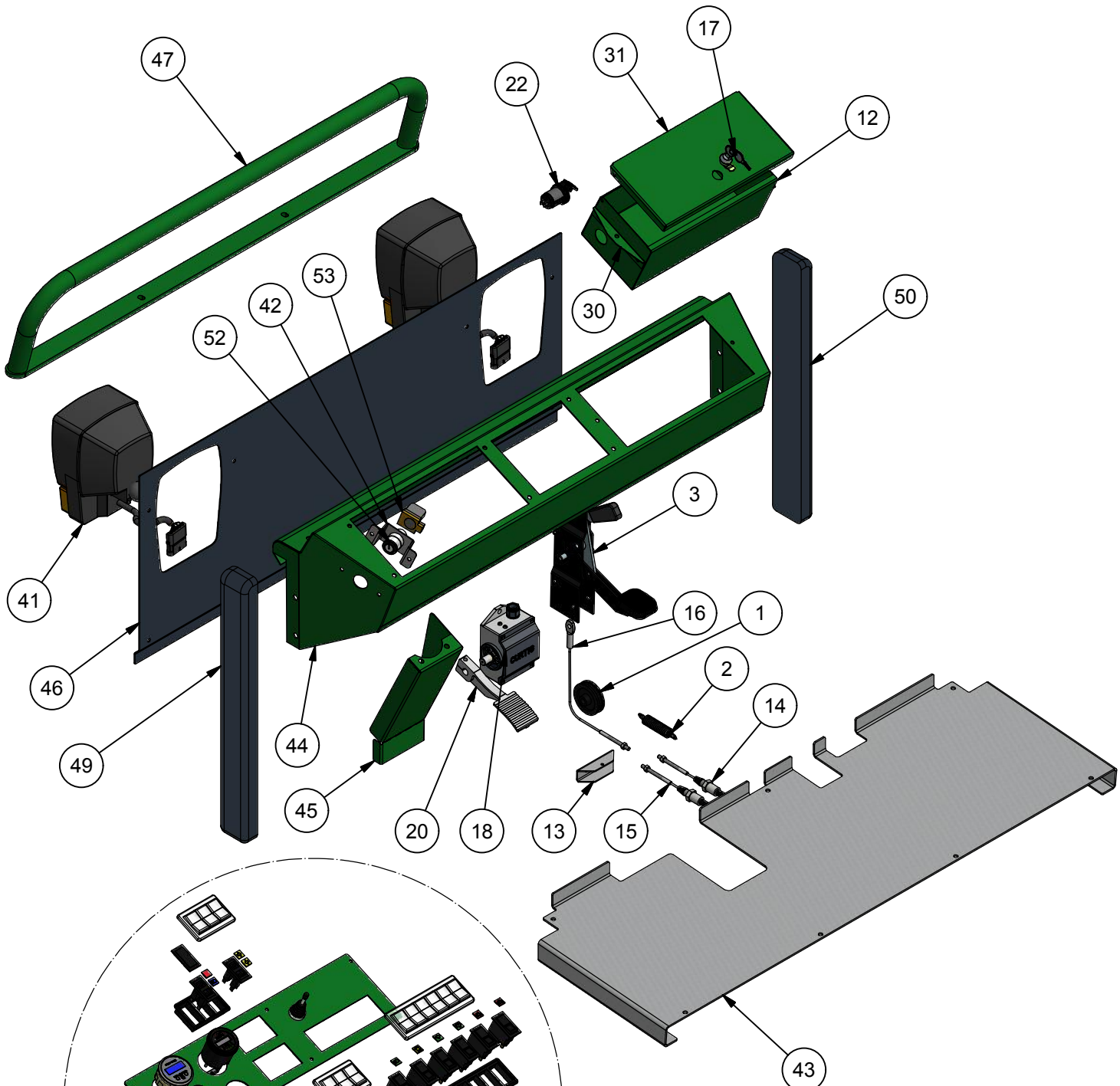
Steel parts Rahmen, Stahl Teile Stål dele

EVO-L Model 2017
17/5-2017 KJ





| <i>Pos.</i> | <i>Description</i> | <i>Pcs</i> | <i>Sparepartno</i> | <i>Note</i> |
|-------------|-----------------------------|------------|--------------------|-------------|
| 1 | Chassis | 1 | 78-511-210 | |
| 2 | Dashboard | 1 | 78-511-250 | |
| 3 | Frontplate | 1 | 78-511-271 | |
| 4 | Steppingplate | 1 | 78-511-201 | |
| 5 | Glove compartment | 1 | 022-000-012 | |
| 6 | Compartment lid | 1 | 555-022-056 | |
| 7 | Compartment bracket | 2 | 555-022-055 | |
| 8 | Dashboard | 1 | 555-022-099 | |
| 9 | Frontpipe | 1 | 78-511-350 | |
| 10 | Seat box lid | 1 | 022-000-004 | |
| 11 | Ignition key bracket | 1 | 78-503-301 | |
| 12 | Suspension base bracket | 2 | 78-510-515 | |
| 13 | Suspension body | 1 | 78-510-525 | |
| 14 | Suspension axle | 1 | 78-510-511 | |
| 15 | Front axle | 1 | 78-511-360 | |
| 16 | Pendulum shaft | 1 | 78-511-290 | |
| 17 | Batteryholder | 2 | 78-511-374 | |
| 18 | Cover plate | 1 | 555-022-258 | |
| 19 | Cover | 1 | 555-022-154 | |
| 20 | Cover bracket left | 1 | 78-511-255 | |
| 21 | Cover bracket right | 1 | 78-511-256 | |
| 22 | Console for transaxle | 1 | 78-511-260 | |
| 23 | Rear side fender | 2 | 78-511-205 | |
| 24 | Pump unit holder | 1 | 78-511-203 | |
| 25 | Lamp cover | 2 | 78-511-202 | |
| 26 | Mounting plate | 1 | 78-511-340 | |
| 27 | Bracket | 2 | 555-022-051 | |
| 28 | Battery lid | 1 | 78-511-280 | |
| 29 | Hydraulics cover | 1 | 78-202-410 | |
| 30 | Hose cover | 1 | 78-511-259 | |
| 31 | Electric system board | 1 | 78-511-204 | |
| 32 | Battery connector holder | 1 | 78-511-258 | |
| 33 | Valve bracket | 1 | 78-511-257 | |
| 34 | Relay bracket | 1 | 77-801-561 | |
| 35 | Brake fluid holder | 1 | 78-511-226 | |
| 36 | Controller heat dissipation | 1 | 78-601-622 | |
| 37 | Tow switch bracket | 1 | 78-010-144 | |



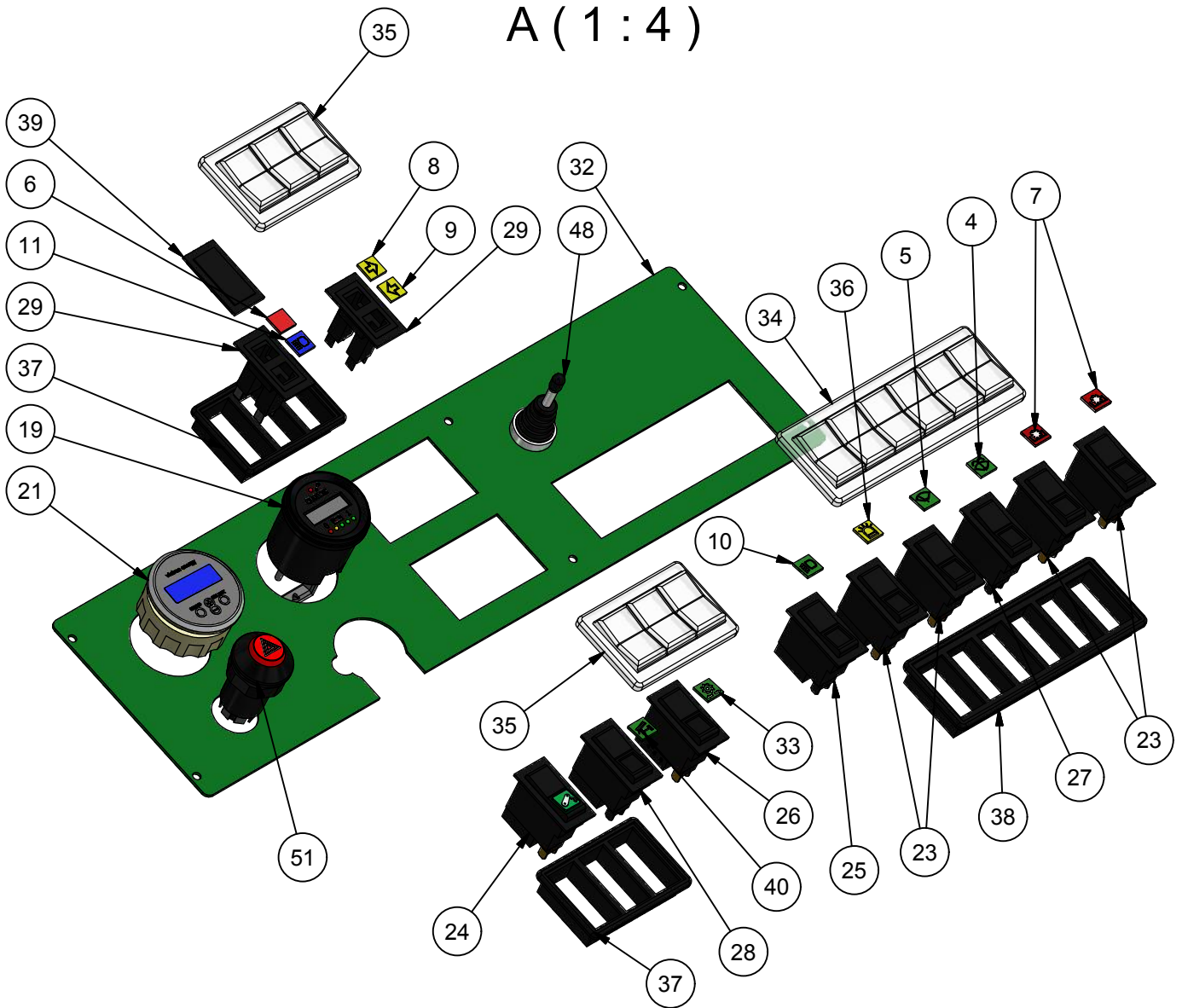
A

Se næste side
Siehe nächste Seite
See next page



Front dele - Vorder Teile - Front parts Type EVO-L Model 2017 - 17.05.2017

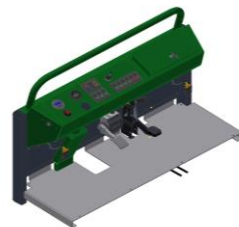
A (1 : 4)



STAMA-HTF

Front parts Type EVO-L

Model 2017 - 17.05.2017



| Pos. | Title | Quantity | Number | Note |
|-------------|-------------------------------|-----------------|---------------|-------------|
| 1 | wire roll | 1 | 003-500-003 | |
| 2 | Tension spring | 1 | 005-140-025 | |
| 3 | Parking brake | 1 | 008-310-037 | |
| 4 | Symbol sprinkler | 1 | 010-300-250 | |
| 5 | Symbol wiper | 1 | 010-300-256 | |
| 6 | Contact symbol red | 1 | 010-300-275 | |
| 7 | Symbol pump | 2 | 010-300-279 | |
| 8 | Symbol yellow arrow Right | 1 | 010-300-285 | |
| 9 | Symbol yellow arrow Left | 1 | 010-300-286 | |
| 10 | Symbol driving light | 1 | 010-300-296 | |
| 11 | Symbol Long light | 1 | 010-300-330 | |
| 12 | Toolbox | 1 | 022-000-012 | |
| 13 | Hammel | 1 | 022-000-207 | |
| 14 | Brake cable - Right | 1 | 022-300-050 | |
| 15 | Brake cable - Left | 1 | 022-300-051 | |
| 16 | Wire for foot brake | 1 | 022-300-052 | |
| 17 | Lock with key | 1 | 100041556 | |
| 18 | Curtis Throttle | 1 | 15945105 | |
| 19 | Spy glass 6 LED | 1 | 17472703 | |
| 20 | Pedal | 1 | 2015-0004 | |
| 21 | Battery monitor | 1 | 2016-0035 | |
| 22 | USB socket | 1 | 2017-0008 | |
| 23 | Rocker switch | 4 | 511 003 | |
| 24 | Contact for lift | 1 | 511 060 | |
| 25 | Contact light 0-1-2 | 1 | 511 086 | |
| 26 | Contact switches in 2 circles | 1 | 511 106 | |
| 27 | switch | 1 | 511 161 | |
| 28 | switch | 1 | 511 287 | |
| 29 | Pilot light | 2 | 511 502 | |
| 30 | Toolbox plate part | 2 | 555-022-055 | |
| 31 | Toolbox lid | 1 | 555-022-056 | |
| 32 | instrument panel | 1 | 555-022-099 | |
| 33 | Symbol swing | 1 | 592 875 | |
| 34 | Hood for 6 contacts | 1 | 594 268 | |

GMR 
Care for the ground

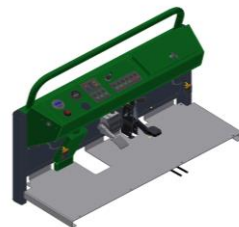
Saturnvej 17. DK 8700 Horsens
Tlf.: +4575643611 Fax: +45645320
E-mail: stensballe@gmr.dk Web: www.gmr.dk



STAMA-HTF

Front parts Type EVO-L

Model 2017 - 17.05.2017



| Pos. | Title | Quantity | Number | Note |
|-------------|-------------------------------|-----------------|---------------|-------------|
| 35 | Hood for 3 contacts | 2 | 594 269 | |
| 36 | Symbol rotor blink yellow | 1 | 595 113 | |
| 37 | Frame for 3 contacts | 2 | 595 502 | |
| 38 | Frame for 6 contacts | 1 | 595 902 | |
| 39 | Blind Cover | 1 | 596 273 | |
| 40 | Symbol tip green | 1 | 596 469 | |
| 41 | Headlight w / multifunctional | 2 | 78-410-216 | |
| 42 | Key Switch Bracket | 1 | 78-503-301 | |
| 43 | Running boards | 1 | 78-511-201 | |
| 44 | Dashboard | 1 | 78-511-250 | |
| 45 | Orbitrolskærm | 1 | 78-511-259 | |
| 46 | Plate for front | 1 | 78-511-271 | |
| 47 | front bar | 1 | 78-511-350 | |
| 48 | Joystick forward / backward | 1 | A12316 | |
| 49 | Sidebar - left | 1 | FM3207010 | |
| 50 | Sidebar - right | 1 | FM3207020 | |
| 51 | Hazard switch | 1 | I36006 | |
| 52 | Key switch | 1 | ZB4BG2 | |
| 53 | Switch base | 1 | ZB4BZ101 | |

GMR 
Care for the ground

Saturnvej 17. DK 8700 Horsens
Tlf.: +4575643611 Fax: +45645320
E-mail: stensballe@gmr.dk Web: www.gmr.dk

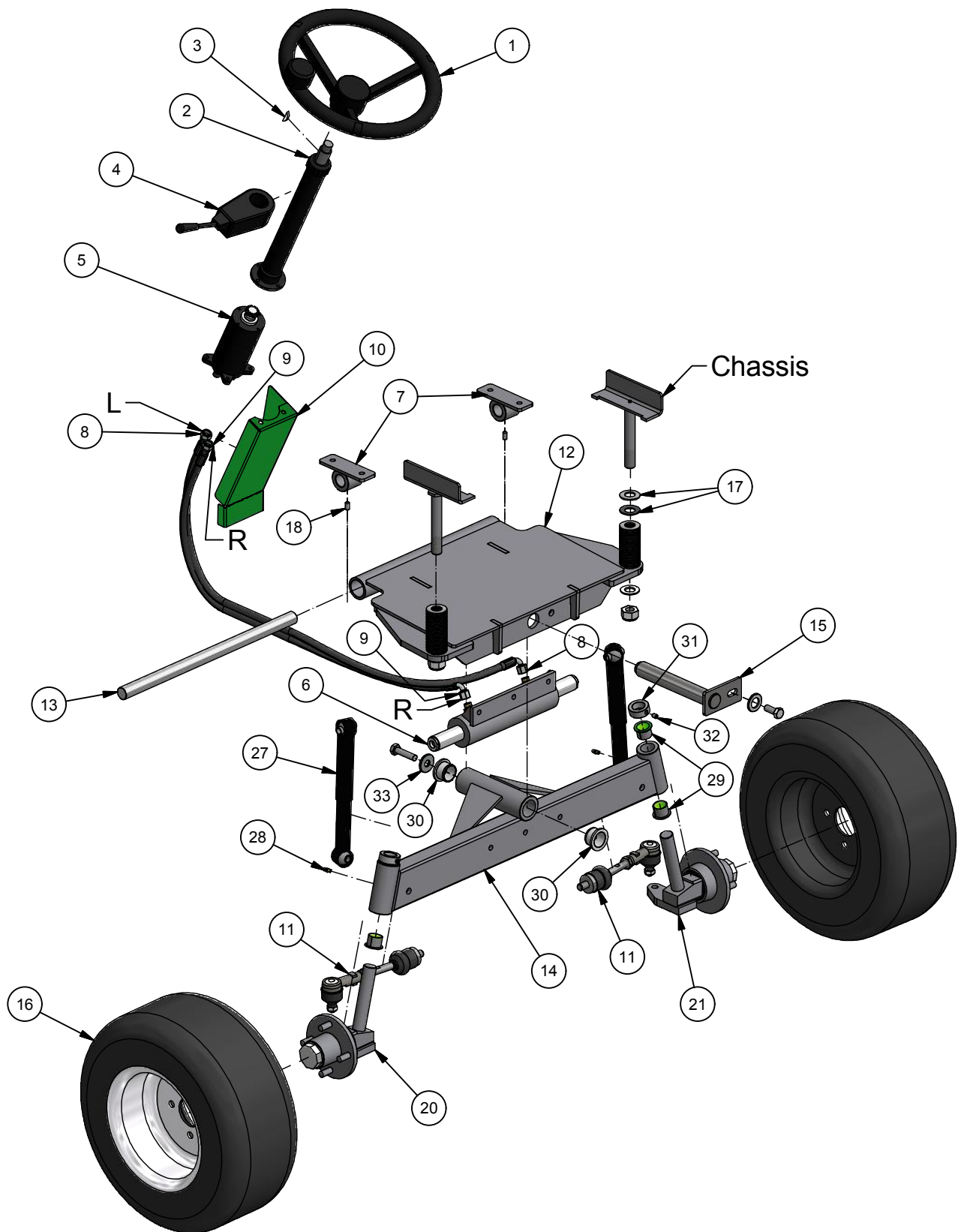




Steering, Lenkung, Styrertøj

EVO-L Model 2017

17/5-2017 KJ





| Pos. | Description | Pcs | Sparepartno | Note |
|------|--------------------------------|-----|----------------------|---------|
| 1 | Steering wheel | 1 | 026-024-011 | |
| 2 | Steering column | 1 | 026-022-011 | |
| 3 | Woodruf disc | 1 | 1142-050065 | 5x6,5 |
| 4 | Turn indicator console | 1 | 010-300-323 | |
| 5 | Steering unit | 1 | 026-022-002 | |
| 6 | Steering cylinder | 1 | 100033961 | |
| 7 | Suspension axle | 2 | 78-510-515 | |
| 8 | Hydraulic hose | 1 | 031-1000-FM149-FO090 | L |
| 9 | Hydraulic hose | 1 | 031-0850-FM149-FO090 | R |
| 10 | Hose cover | 1 | 78-511-259 | |
| 11 | Tie rod and ball joint, compl. | 2 | 100040621 | Komplet |
| 12 | Suspension body | 1 | 78-510-525 | |
| 13 | Suspension axle | 1 | 78-510-511 | |
| 14 | Front axle | 1 | 78-511-360 | |
| 15 | Pendulum shaft | 1 | 78-511-290 | |
| 16 | Front wheel | 2 | 51537580260 | |
| 17 | Belleville spring | 68 | 35-720-225 | |
| 18 | Set screw | 2 | 32-208-016 | M8x16 |
| 20 | King pin left | 1 | FM3170010 | |
| 21 | King pin right | 1 | FM3170020 | |
| 27 | Shock absorber | 2 | 100033965 | |
| 28 | Lubrication nipple | 3 | 57-000-006 | M6 |
| 29 | Bearing bushing | 4 | 100033924 | |
| 30 | Bearing bushing | 2 | 100034152 | |
| 31 | stop collar | 2 | 555-022-203 | |
| 32 | Set screw | 2 | 32-208-010 | |
| 33 | Heavy duty disc | 1 | 36-140-012 | |

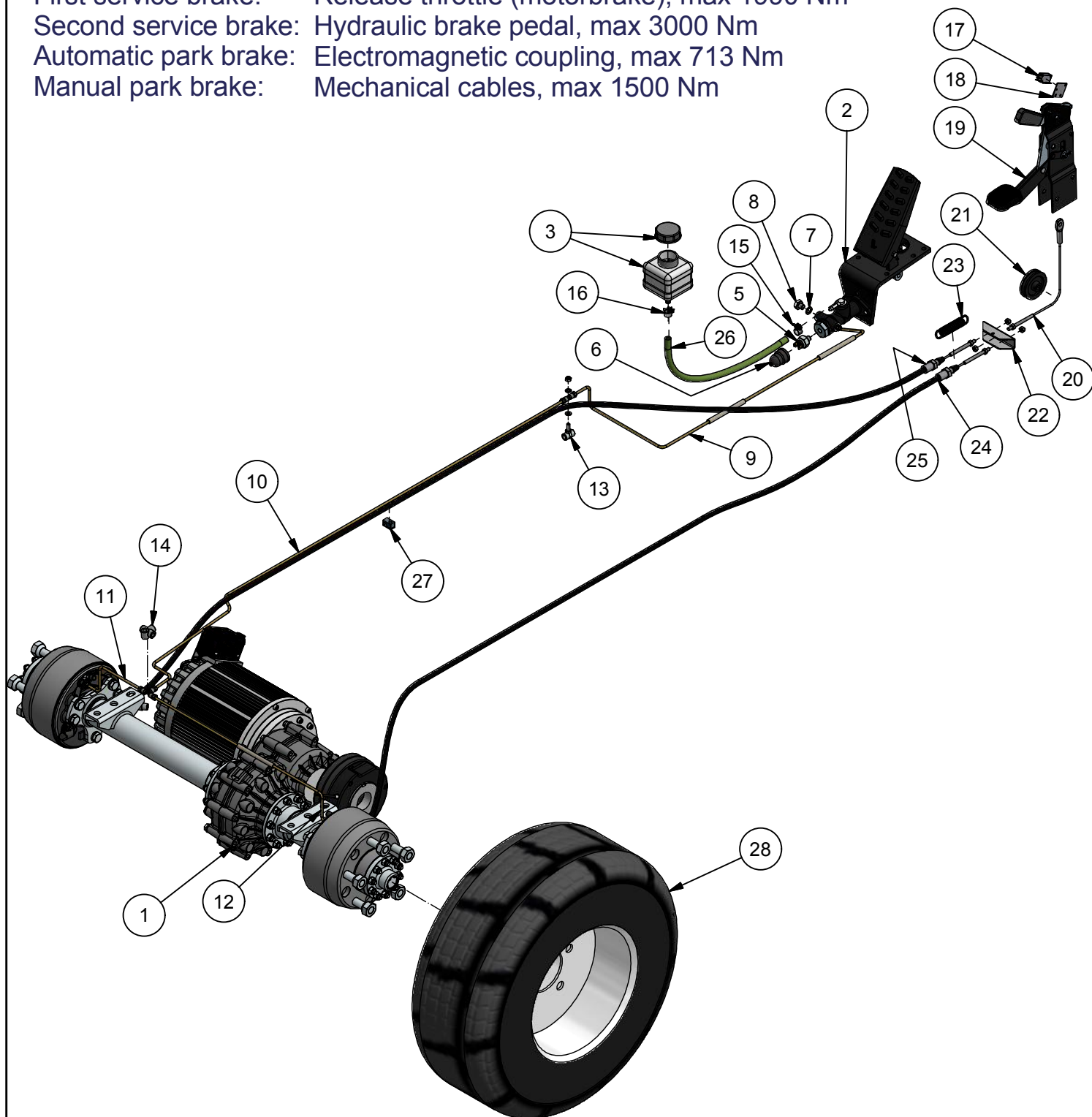


Transmission & Brake / Bremsen

EVO-L Model 2017

23/5-2017 KJ

- First service brake: Release throttle (motorbrake), max 1990 Nm
- Second service brake: Hydraulic brake pedal, max 3000 Nm
- Automatic park brake: Electromagnetic coupling, max 713 Nm
- Manual park brake: Mechanical cables, max 1500 Nm



STAMA

Brakes / Bremsen

78-702-600
EVO-L - 23/5.2017



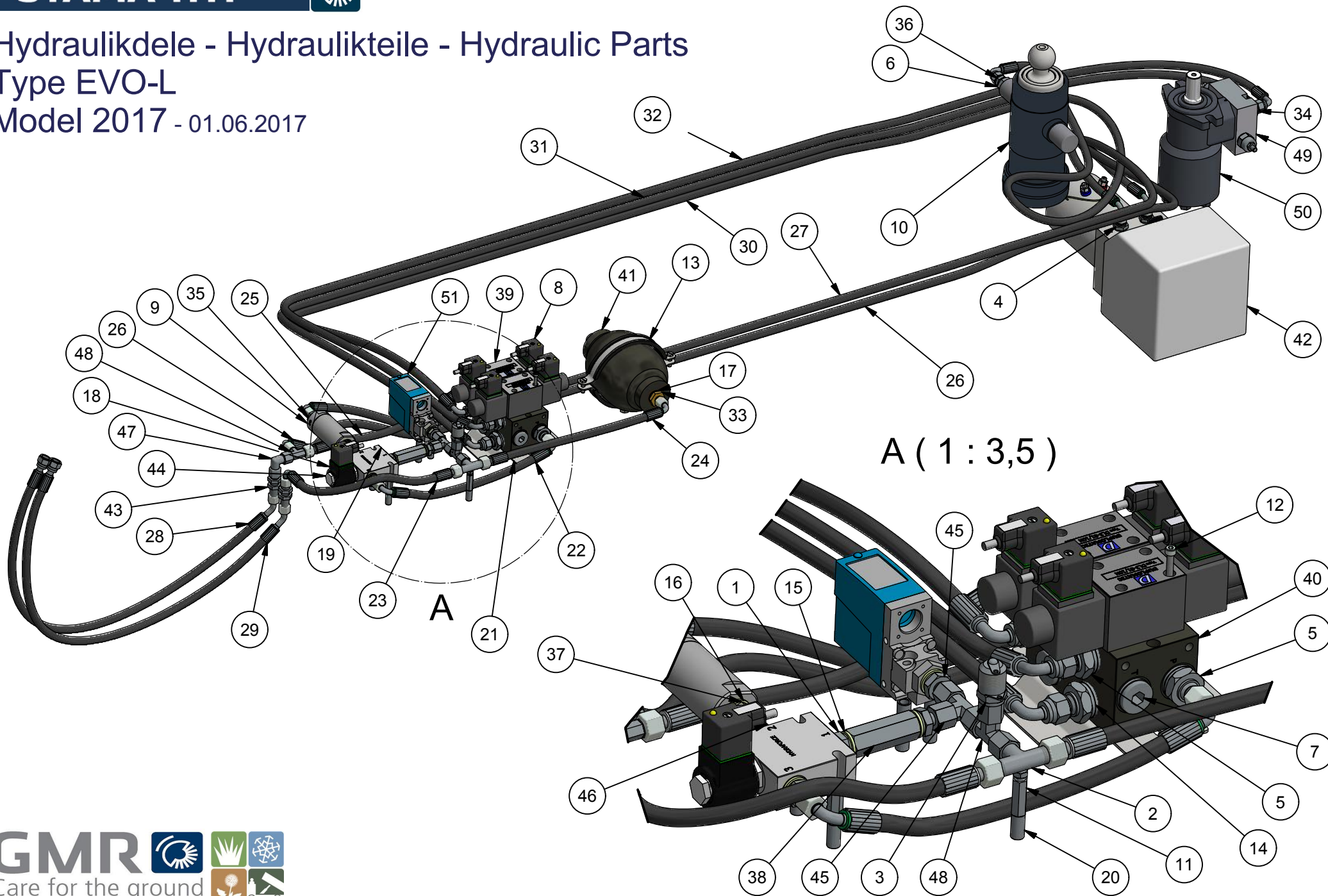
| Pos. | Description | Pcs | Sparepartno | Note |
|------|--------------------------|-------|-------------|-------------------------|
| 1 | Transaxle TX2 with motor | 1 | 2016-0007 | 6,5kW 48VAC |
| 2 | Hydraulic brake pedal | 1 | VPF004238 | |
| 3 | Brake fluid container | 1 | KT003630 | |
| 4 | Brake fluid | 0,4 L | PLM 2886 | DOT 4 |
| 5 | Pressure switch | 1 | 11000IDRO | M10x1,0 |
| 6 | Protection cap | 1 | PMN CAP1 | |
| 7 | Cupper seal | 1 | 42-100-010 | 10mm |
| 8 | Plug | 1 | 78-301-115 | M10 x 1,25 |
| 9 | Brake tube front | 1 | 78-702-610 | |
| 10 | Brake tube center | 1 | 78-702-620 | |
| 11 | Brake tube left | 1 | 78-702-630 | |
| 12 | Brake tube right | 1 | 78-702-640 | |
| 13 | Pipe connector | 1 | 78-301-130 | |
| 14 | Pipe connector tee | 1 | 8105 3787 | M10x1,0 |
| 15 | Clamp | 1 | 1150-500012 | |
| 16 | Clamp | 1 | 1150-500014 | |
| 17 | Microswitch | 1 | 010-300-452 | |
| 18 | Microswitch holder | 1 | 022-001-001 | |
| 19 | Park brake lever | 1 | 008-310-037 | |
| 20 | Park brake steel wire | 1 | 022-300-052 | |
| 21 | Roller wheel | 1 | 003-500-003 | |
| 22 | Brake hammel | 1 | 022-000-207 | |
| 23 | Tension spring | 1 | 005-140-025 | |
| 24 | Brake cable right | 1 | 022-300-050 | |
| 25 | Brake cable left | 1 | 022-300-051 | |
| 26 | Brake fluid hose | 1 | 28-06 | Ø6 |
| 27 | Pipe holder | 1 | 030-132-008 | 8 mm |
| 28 | Rearwheel | 2 | 2016-0037 | 23" x 8,5 x 12 / 12 Ply |



Hydraulikdele - Hydraulikteile - Hydraulic Parts

Type EVO-L

Model 2017 - 01.06.2017



STAMA-HTF

Hydraulic Parts

Type EVO-L

Modell 2017 - 01.06.2017

| Pos. | Designation | Qty | Part number | Remark |
|-------------|---------------------------|------------|--------------------|-------------------------------------|
| 1 | Male double | 2 | 01BP04 | |
| 2 | Hose Holder | 1 | 022-001-004 | |
| 3 | Test nipple | 1 | 026-022-043 | |
| 4 | Male double | 2 | 02BP0604 | |
| 5 | Male double | 5 | 02BP0804 | |
| 6 | Insertion to tip cylinder | 1 | 030-110-140 | |
| 7 | End Prop | 3 | 08BPU08 | |
| 8 | Diode stick 1.5m | 5 | 20-3124261 | |
| 9 | Inline filter | 1 | 2015-0011 | |
| 10 | Tipping cylinder | 1 | 2030S GMR | |
| 11 | Long nut | 3 | 31-040-006 | |
| 12 | Round head unbracoskrue | 8 | 32-105-030 | |
| 13 | Tubular | 1 | 337329 | |
| 14 | Bonded seal gasket | 10 | 42-000-012 | |
| 15 | Bonded seal gasket | 7 | 42-000-014 | |
| 16 | Bonded seal gasket | 2 | 42-000-038 | |
| 17 | Copper Washer | 1 | 42-100-018 | |
| 18 | Magnet coil | 1 | 6306012 | |
| 19 | Alu. block | 1 | 7028720 | |
| 20 | Spacer | 7 | 78-511-227 | |
| 21 | Valve bracket | 1 | 78-511-257 | |
| 22 | Hyd. Hose 290mm | 1 | 78-511-570 | Advantage Block (3) to Hyd. Block P |
| 23 | Hyd. Hose 310mm | 1 | 78-511-571 | Advantage Block (1) to Shot P |
| 24 | Hyd. hose 300mm | 1 | 78-511-572 | Advantage Block (1) to Accumulator |
| 25 | Hyd. Hose 280mm | 1 | 78-511-573 | Shot T to Hyd. Block T |
| 26 | Hyd. Hose 2270mm | 1 | 78-511-574 | Pump to distributor block (2) |
| 27 | Hyd. Hose 2200mm | 1 | 78-511-575 | Shot-T to T-pump |
| 28 | Hyd. Hose 800mm | 1 | 78-511-576 | Orbitrol T to Shot T |
| 29 | Hyd. Hose 800mm | 1 | 78-511-577 | Orbitrol P to Shot P |
| 30 | Hyd. Hose 2850mm | 1 | 78-511-578 | Hyd. Block to tip cylinder |
| 31 | Hyd. Hose 2500mm | 1 | 78-511-579 | Hyd. Block to Hyd.swing |
| 32 | Hyd. Hose 2550mm | 1 | 78-511-580 | Hyd. Block to Hyd.swing |
| 33 | Screwing | 1 | A08LM18 | |
| 34 | Screwing | 2 | A08LR 1-2 | |

GMR 
Care for the ground

Saturnvej 17. DK 8700 Horsens
Tlf.: +4575643611 Fax: +45645320
E-mail: stensballe@gmr.dk Web: www.gmr.dk



STAMA-HTF

Hydraulic Parts

Type EVO-L

Modell 2017 - 01.06.2017

| Pos. | Designation | Qty | Part number | Remark |
|-------------|--|------------|-----------------------|---------------|
| 35 | Screwing | 1 | A08LR 3-8 | |
| 36 | Screwing | 1 | A08RL | |
| 37 | Screwdriving $\varnothing 10 \times 3 / 8$ " | 1 | A10LR3-8 | |
| 38 | Check valve 1/4 " | 1 | A12020001 | |
| 39 | NG06 solenoid valve 12VDC 4/3 way | 2 | DL3-S1_10N-D12K1 | |
| 40 | Ng6 block with side outlet | 1 | EM213_2Y | |
| 41 | Accumulator 1 liter | 1 | H1000R | |
| 42 | Power-pack | 1 | HF48C20-03-1,5-2,2-4P | |
| 43 | Straight screw crossing $\varnothing 8$ | 2 | K08LXGM | |
| 44 | Valve Cartridge | 1 | SV08-30-0-N-0 | |
| 45 | Pipe rod with BSP thread | 2 | VA08RL | |
| 46 | Screwing | 1 | VA10RLDKO | |
| 47 | Adjustable angle 8L | 1 | VB08LDKO | |
| 48 | Adjustable L $\varnothing 8$ | 3 | VD08LDKO | |
| 49 | Double pressure relief valve | 1 | VS50FMDI/1Y04B | |
| 50 | Hydraulic Motor | 1 | W255240A6312 | |
| 51 | Pressure switch | 1 | XMLB160D2S11 | |

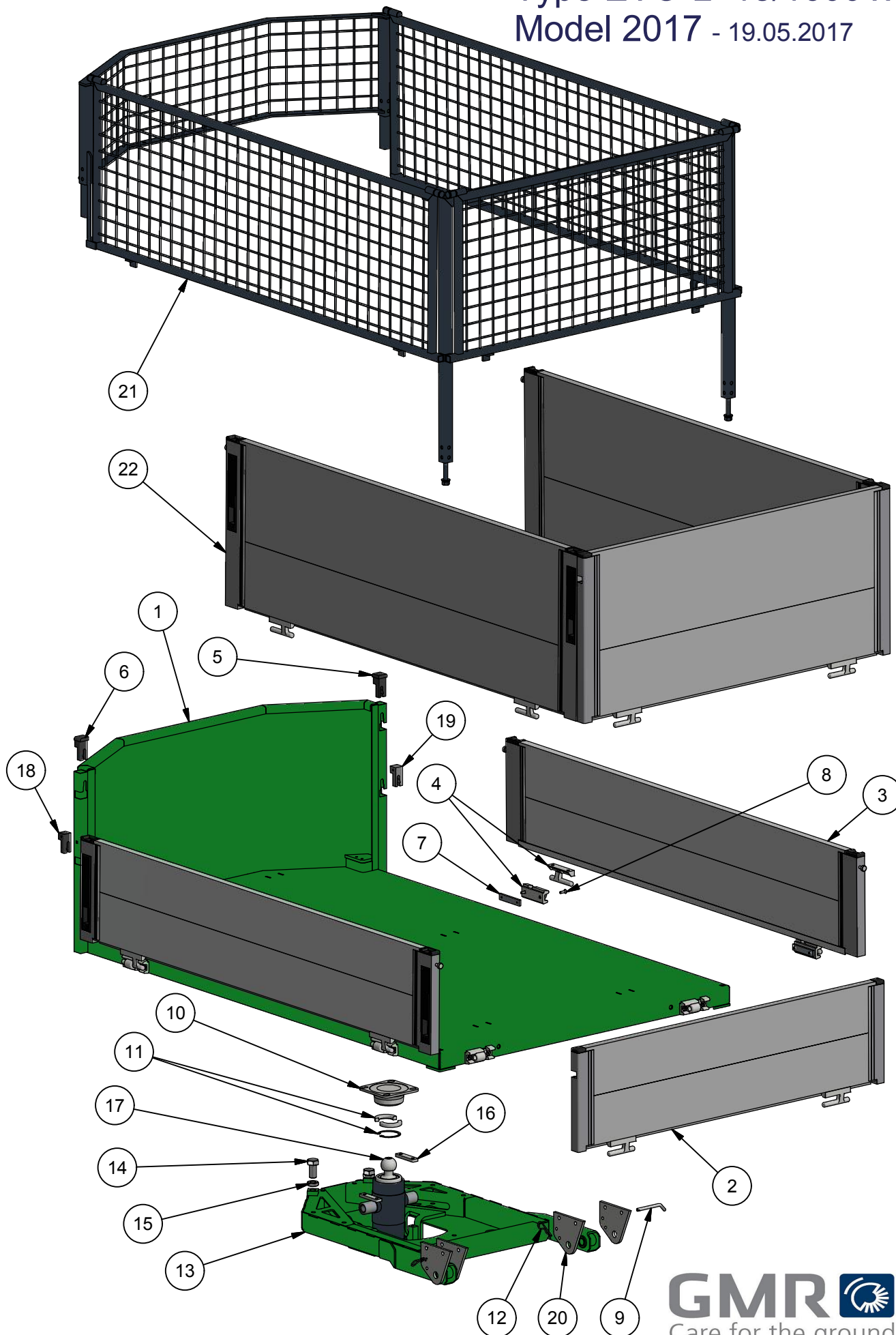
GMR 
Care for the ground

Saturnvej 17. DK 8700 Horsens
Tlf.: +4575643611 Fax: +45645320
E-mail: stensballe@gmr.dk Web: www.gmr.dk





Lad - Kipper - Tipper
Type EVO-L 18/1600 x 1100
Model 2017 - 19.05.2017



STAMA-HTF

Lad - Kipper - Tipper
Type EVO-L 18/1600 x 1100
Model 2017 - 19.05.2017

| Pos. | Designation | Quantity | Part number | Remark |
|-------------|----------------------------|-----------------|--------------------|---------------|
| 1 | Tipperframe | 1 | 78-511-310 | |
| 2 | Alu. tailgate 300mm | 1 | 78-511-327 | |
| 3 | Alu. sites 300 mm | 2 | 78-511-326 | |
| 4 | Hinge for alu. sites | 6 | 022-200-010 | |
| 5 | Top cover right | 1 | 022-000-032 | |
| 6 | Top cover left | 1 | 022-000-033 | |
| 7 | Thread hinge | 6 | 300068 | |
| 8 | Hexagon socket screw | 24 | 32-006-020 | |
| 9 | Nail | 2 | 78-206-156 | |
| 10 | Ball bracket for cylinder | 1 | 78-511-380 | |
| 11 | Locking set for cylinder | 1 | 026-231-071 | |
| 12 | Hair Pin | 2 | 38-203-070 | |
| 13 | Bottompart | 1 | 78-511-330 | |
| 14 | Set screw | 2 | 29-120-040 | |
| 15 | Lock nut | 2 | 31-201-020 | |
| 16 | Locking plate for cylinder | 2 | 78-511-385 | |
| 17 | Tipping cylinder | 1 | 2030S GMR | |
| 18 | Center lock left | 1 | 78-601-503 | |
| 19 | Center lock right | 1 | 78-601-504 | |
| 20 | Tiltplate for tipper | 4 | 78-511-316 | |
| 21 | Leafsites | 1 | FL4400150 | |
| 22 | Alu. Sites/tailgate 500mm | 1 | FL4400130 | |
| | | | | |

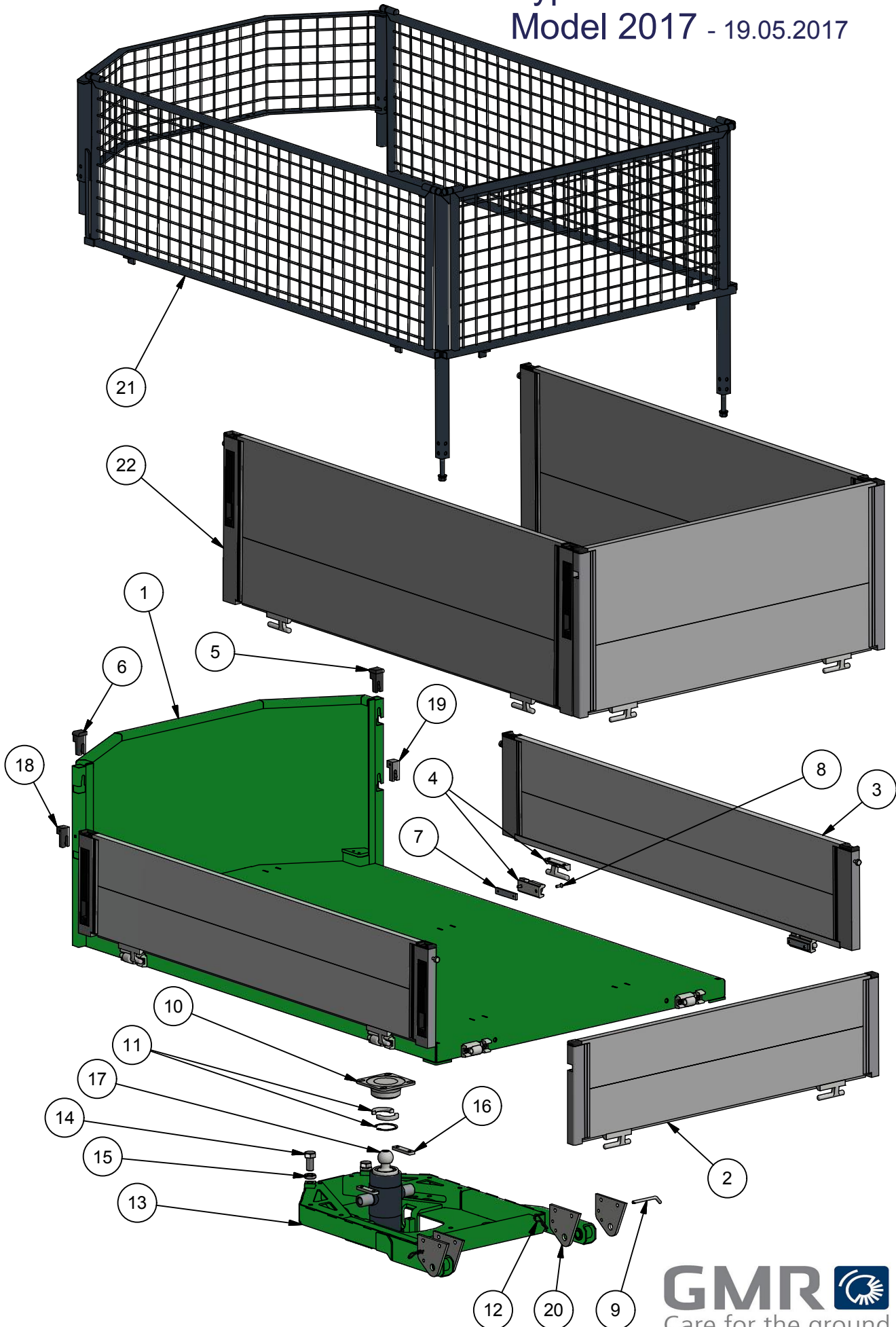
GMR 
Care for the ground

Saturnvej 17. DK 8700 Horsens
Tlf.: +4575643611 Fax: +45645320
E-mail: stensballe@gmr.dk Web: www.gmr.dk





Lad - Kipper - Tipper
Type EVO-L 18/1600 x 1300
Model 2017 - 19.05.2017



STAMA-HTF

Lad - Kipper - Tipper
Type EVO-L 18/1600 x 1300
Model 2017 - 19.05.2017

| Pos. | Designation | Quantity | Part number | Remark |
|-------------|----------------------------|-----------------|--------------------|---------------|
| 1 | Tipperframe | 1 | 78-511-510 | |
| 2 | Alu. tailgate 300mm | 1 | 78-511-527 | |
| 3 | Alu. sites 300 mm | 2 | 78-511-326 | |
| 4 | Hinge for alu. sites | 6 | 022-200-010 | |
| 5 | Top cover right | 1 | 022-000-032 | |
| 6 | Top cover left | 1 | 022-000-033 | |
| 7 | Thread hinge | 6 | 300068 | |
| 8 | Hexagon socket screw | 24 | 32-006-020 | |
| 9 | Nail | 2 | 78-206-156 | |
| 10 | Ball bracket for cylinder | 1 | 78-511-380 | |
| 11 | Locking set for cylinder | 1 | 026-231-071 | |
| 12 | Hair Pin | 2 | 38-203-070 | |
| 13 | Bottompart | 1 | 78-511-330 | |
| 14 | Set screw | 2 | 29-120-040 | |
| 15 | Lock nut | 2 | 31-201-020 | |
| 16 | Locking plate for cylinder | 2 | 78-511-385 | |
| 17 | Tipping cylinder | 1 | 2030S GMR | |
| 18 | Center lock left | 1 | 78-601-503 | |
| 19 | Center lock right | 1 | 78-601-504 | |
| 20 | Tiltplate for tipper | 4 | 78-511-316 | |
| 21 | Leafsites | 1 | FL4400160 | |
| 22 | Alu. sites/tailgate 500mm | 1 | FL4400140 | |
| | | | | |

GMR 
Care for the ground

Saturnvej 17. DK 8700 Horsens
Tlf.: +4575643611 Fax: +45645320
E-mail: stensballe@gmr.dk Web: www.gmr.dk



STAMA-HTF

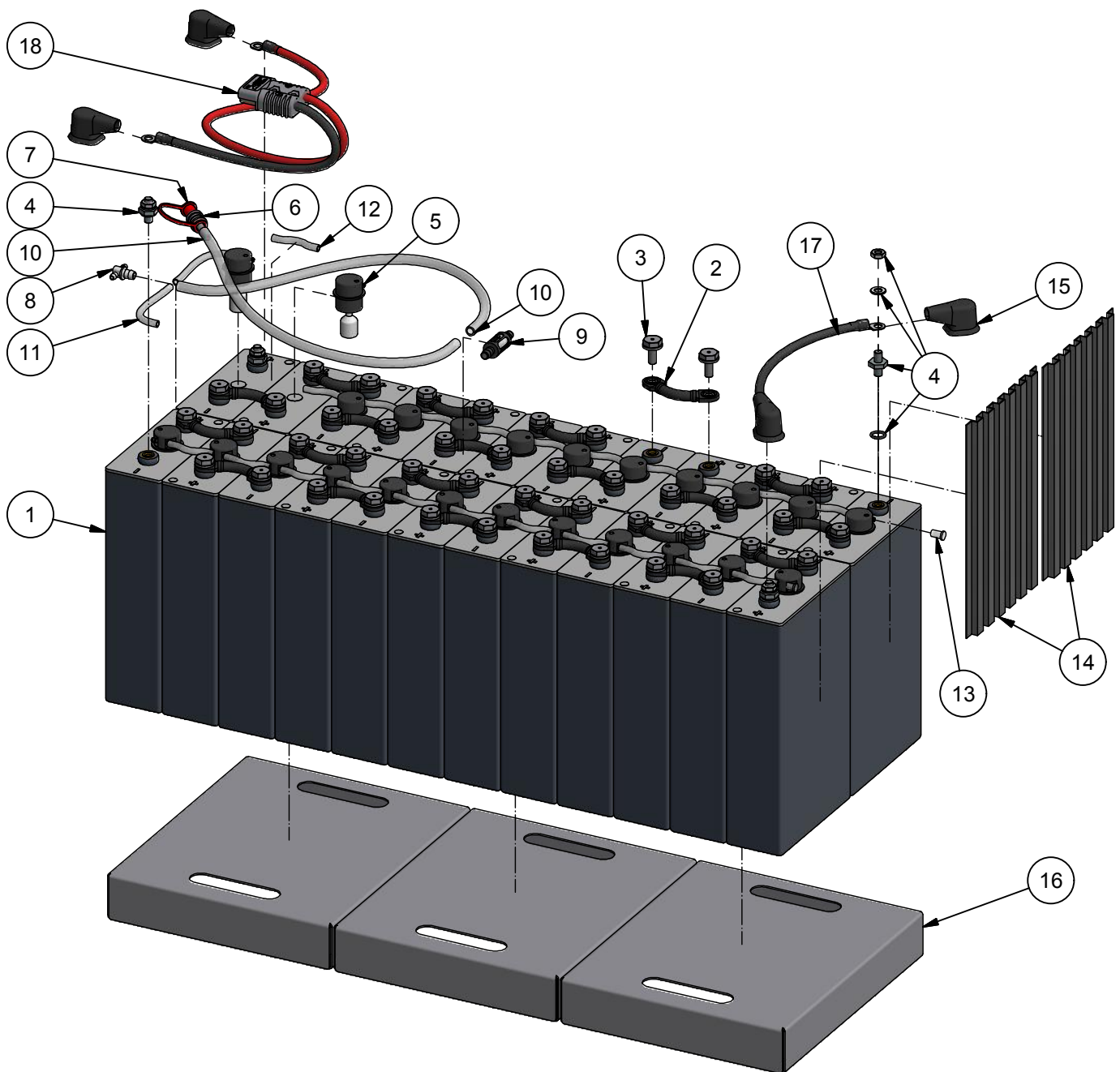


FL1098000 48V 240Ah Battery 386 kg

FL1098010 48V 320Ah Battery 448 kg

EVO-L Model 2017

18/5-2017 KJ





FL1098000 48V 240Ah

FL1098010 48V 320Ah

EVO-L - 18/5.2017



| Pos. | Description | Pcs | Sparepartno | Note |
|------|-------------------------|-----|---------------------|---------------|
| 1 | Battery cell | 24 | 4PZS 240 | FL1098000 |
| | | | 4PZS 320 | FL1098010 |
| 2 | Connector cable | 22 | 78-010-154.2 | 35# 95mm |
| 3 | Isolated battery bolt | 44 | 78-010-154.3 | 3805176 M10 |
| 4 | Terminal screw, assy | 4 | 380525801 | 380525801 M10 |
| 5 | BFS Water filling valve | 24 | 78-010-154.5 | |
| 6 | Quick connector | 1 | 78-010-154.5 | |
| 7 | Dust cover | 1 | 78-010-154.5 | |
| 8 | Tee-Fitting 8-12-8 | 1 | 78-010-154.5 | |
| 9 | Water filling filter | 1 | 026-004-044 | |
| 10 | Water hose | 2 | Vandslange 9mm | Ø9 x 500 |
| 11 | Water hose | 2 | Vandslange 6mm | Ø6 x 120 |
| 12 | Water hose | 22 | Vandslange 6mm | Ø6 x 70 |
| 13 | End plug | 2 | Endestykke slange | Ø6 |
| 14 | Separation plate | 2 | Seperation Hx200x10 | |
| 15 | Protection rubber cap | 4 | HAG 156 | |
| 16 | Height adjuster | 3 | 78-511-375 | FL1098000 |
| 17 | Connector cable 11 | 1 | 9806215.11 | |
| 18 | Connector with cables | 1 | 9806215.1+9 | 175 A |

STAMA-HTF



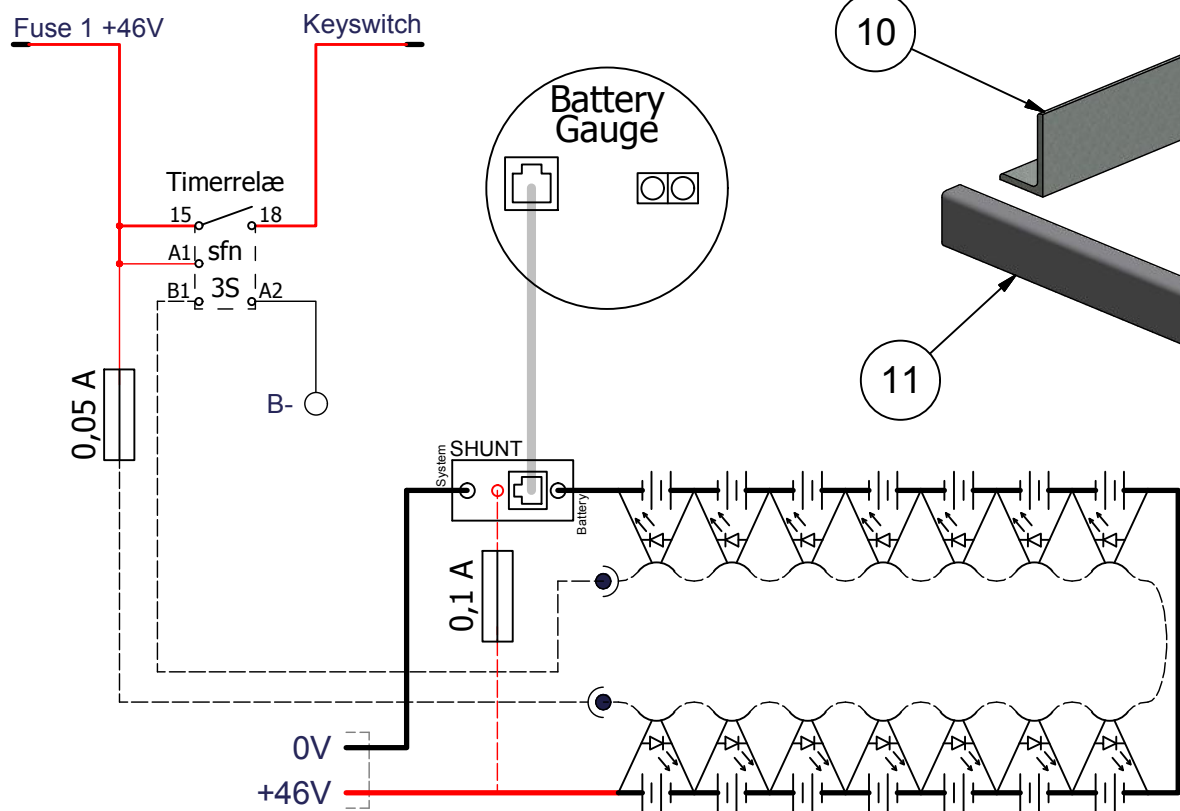
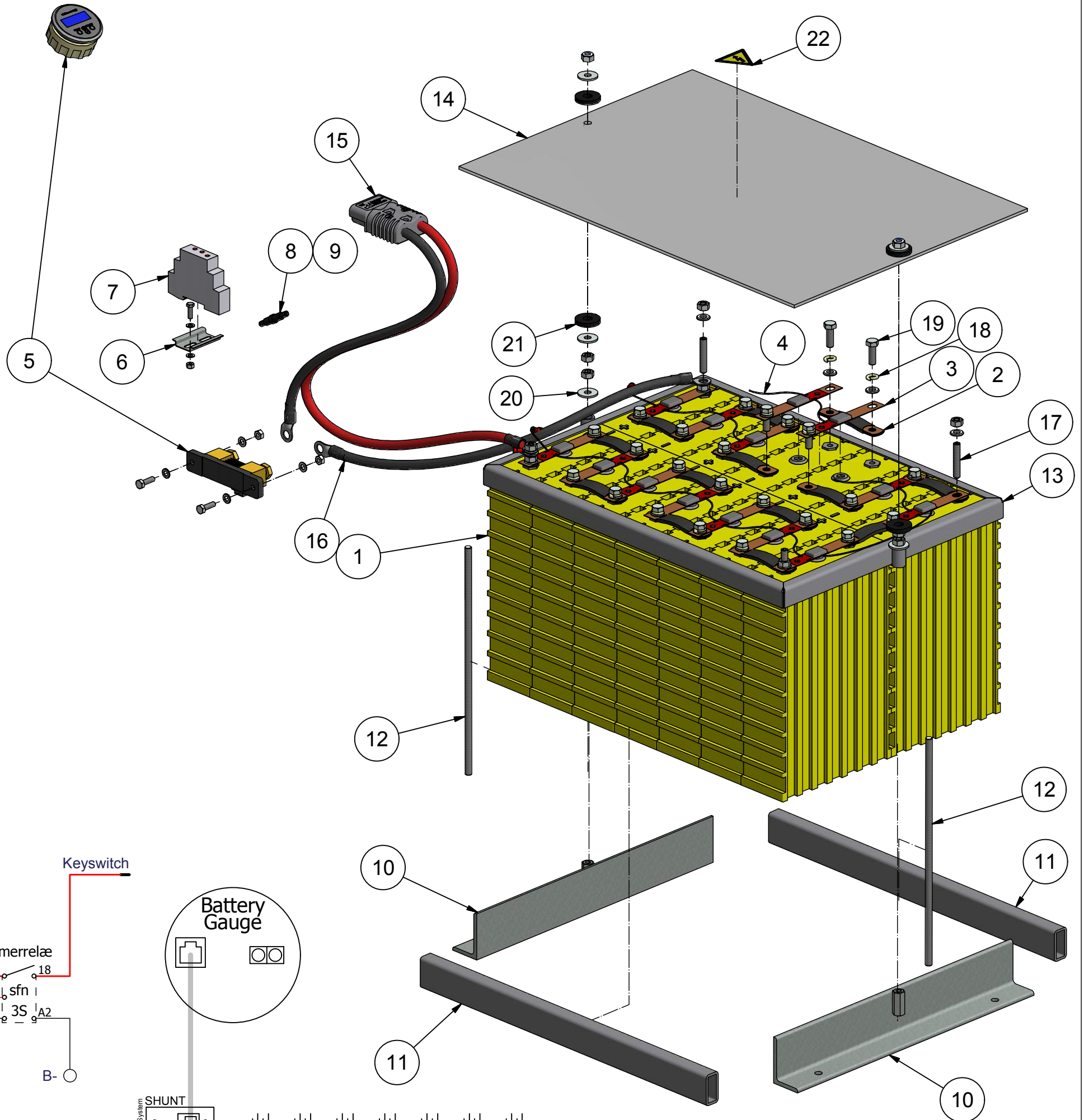
FL1098020 46V 160Ah

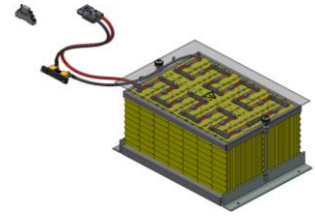
FL1098030 46V 200Ah

GMR Type Lithium Battery EVO 2018

Weight 92 kg

25/4-2018 KJ





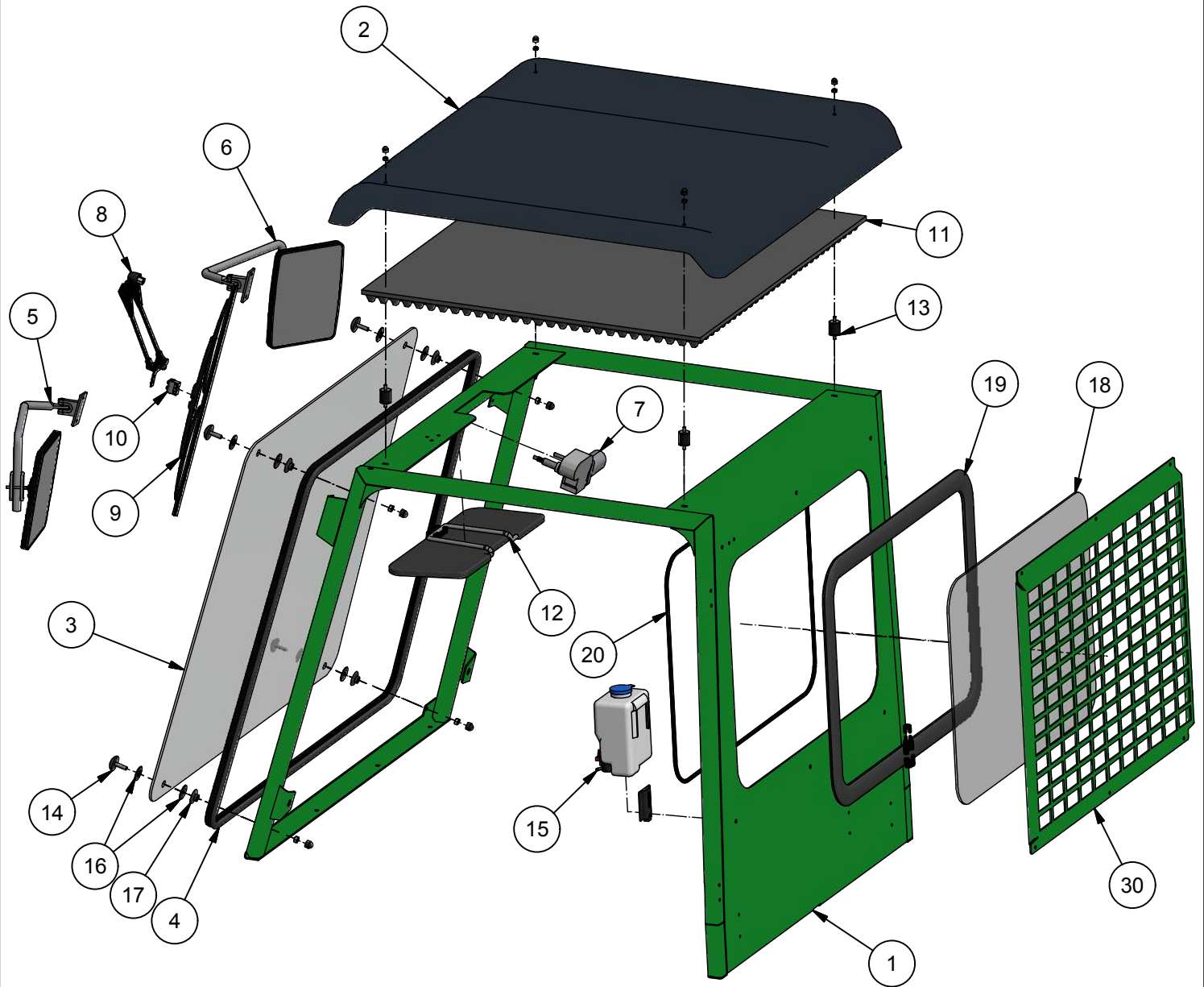
| Pos. | Description | Pcs | Sparepartno | Note |
|------|---------------------------|-----|--------------|--------------------|
| 1 | Battery Cell | 14 | LFP160AHA | FL1098020 (Yellow) |
| | | 14 | SP-LFP200AHA | FL1098030 (Black) |
| 2 | Copper connector | 13 | LFP160-CON | |
| 3 | Sensor module | 14 | BMS-CM160 | |
| 4 | Daisy chain (soldered) | 12 | 1430-001000 | |
| 5 | Battery Gauge, complete | 2 | 2016-0035 | |
| 6 | Relay socket | 1 | 2015-0012 | -> Dec 2017 |
| 7 | BMS Relay | 1 | 2015-0013 | |
| 6 | DIN Rail | 1 | 78-803-501 | Jan 2018 -> |
| 7 | Multifunction timer relay | 1 | 2018-0004 | |
| 8 | Fine fuse | 1 | 2017-0014 | 0,05A F |
| 9 | Fuse holder | 1 | 2016-0032 | |
| 10 | Mounting bracket | 2 | 78-202-630 | |
| 11 | Spacer | 2 | 78-202-625 | |
| 12 | Threaded rod | 2 | 78-202-635 | |
| 13 | Battery holder, top | 1 | 78-202-640 | |
| 14 | Cover | 1 | 78-202-637 | |
| 15 | Battery connector | 1 | 9806215.1+9 | 175 A |
| 16 | Battery cable 11 | 1 | 9806215.11 | |
| 17 | Set screw | 4 | 32-208-045 | M8x45 |
| 18 | Spring washer | 24 | 35-000-008 | |
| 19 | Set screw | 24 | 29-108-025 | |
| 20 | Washer | 6 | 36-250-008 | DIN 9021 |
| 21 | Rubber washer | 4 | 35-930-012 | |
| 22 | Sticker Warning | 1 | 09-700-001 | |

STAMA-HTF



FL1026998 Windshield, Schutzdach, Førerværn EVO-L Model 2017

22/5-2017 KJ



FL1026998 Windshield / Schutsdach / Førerværn EVO-L - 22/5.2017



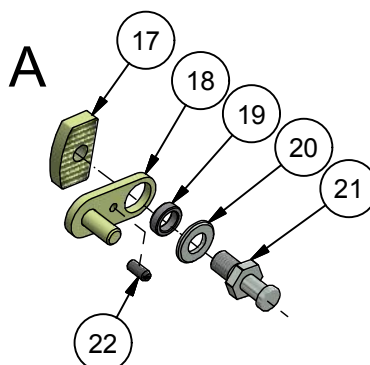
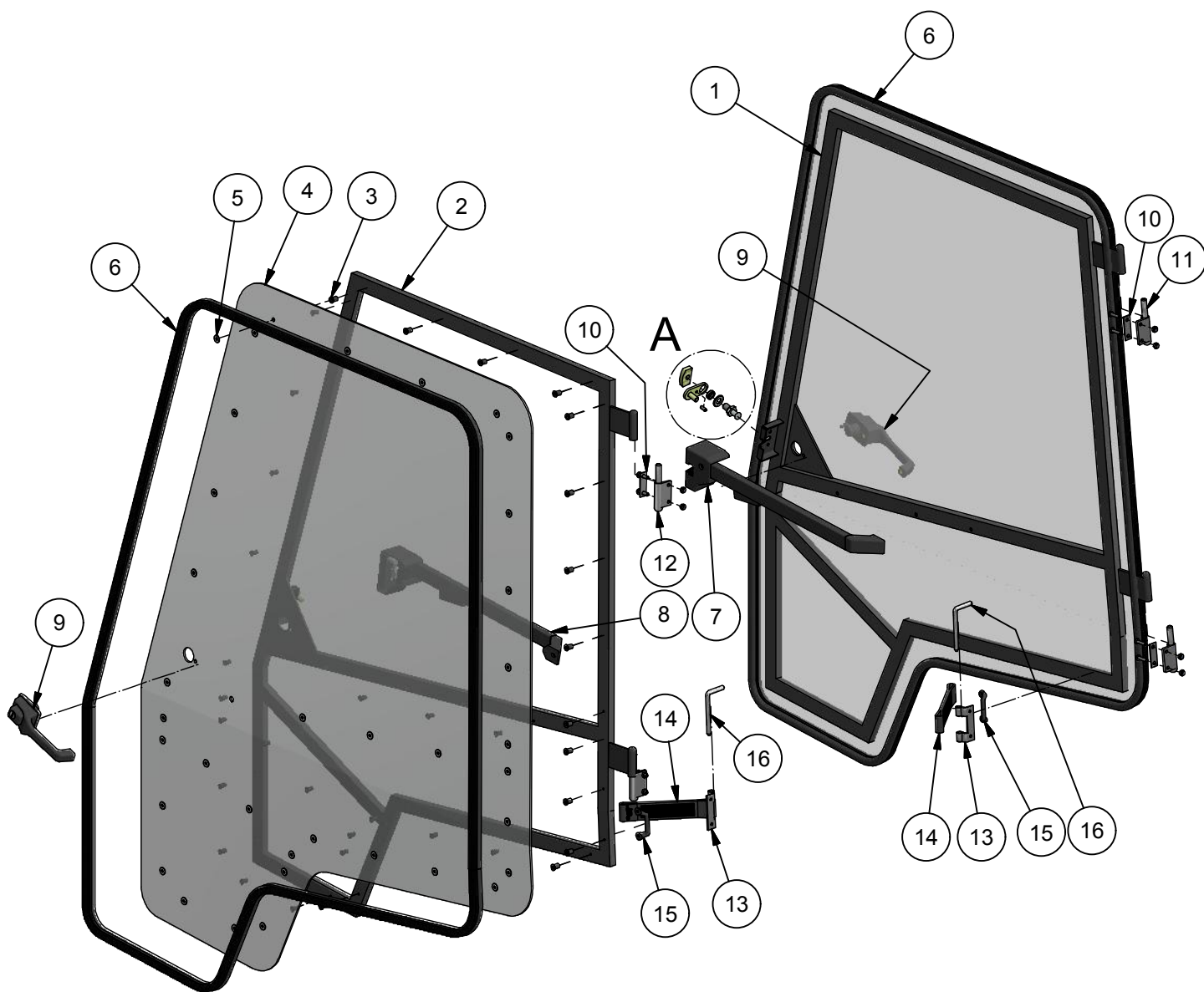
| Pos. | Description | Pcs | Sparepartno | Note |
|------|-----------------------------|-----|-------------|-------------------------|
| 1 | Roof rack | 1 | 022-000-013 | |
| 2 | Roof | 1 | FM3300000 | 1000x1040 |
| 3 | Wind shield | 1 | FM3311000 | 5 mm hardened glass |
| 4 | Edge rubber list | 1 | 009-100-052 | |
| 5 | Mirror left | 1 | 100044958 | L |
| 6 | Mirror right | 1 | 100044956 | R |
| 7 | Wiper motor | 1 | 030-000-321 | 12V 90gr |
| 8 | Wiper parallel | 1 | 010-300-322 | 450mm |
| 9 | Wiper blade | 1 | 100036682 | 600mm |
| 10 | Wiper adapter | 1 | 030-000-383 | K |
| 11 | Noise reduction mat | 1 | 100040227 | 30mm 950x1000mm |
| 12 | Sun shield | 1 | 100041131 | |
| 13 | Vibration damper | 4 | 100034267 | ø25x30 M6x2 |
| 14 | Bolt for glas | 4 | 100044555 | M8x30 |
| 15 | Sprinkler container w. pump | 1 | 160001 | 12 V |
| 16 | Rubber disc | 8 | 100044551 | Ø35x1½ |
| 17 | Plastic disc | 4 | 100044552 | Ø35x11 |
| 18 | Rear window | 1 | 030-000-265 | 5 mm PolyCarbonat |
| 19 | Edge mounting list | 1 | 009-100-072 | 4,0 meter |
| 20 | Locking wedge | 1 | 009-100-073 | 4,0 meter |
| 21 | Wire harness | 1 | 9806230 | |
| 30 | Protection grid | 1 | 78-703-750 | Option FL1027010 |

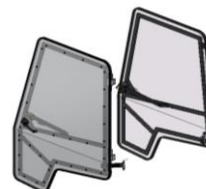


FL1027000 Doors / Türen / Døre

EVO-L Model 2017

25/5-2017 KJ



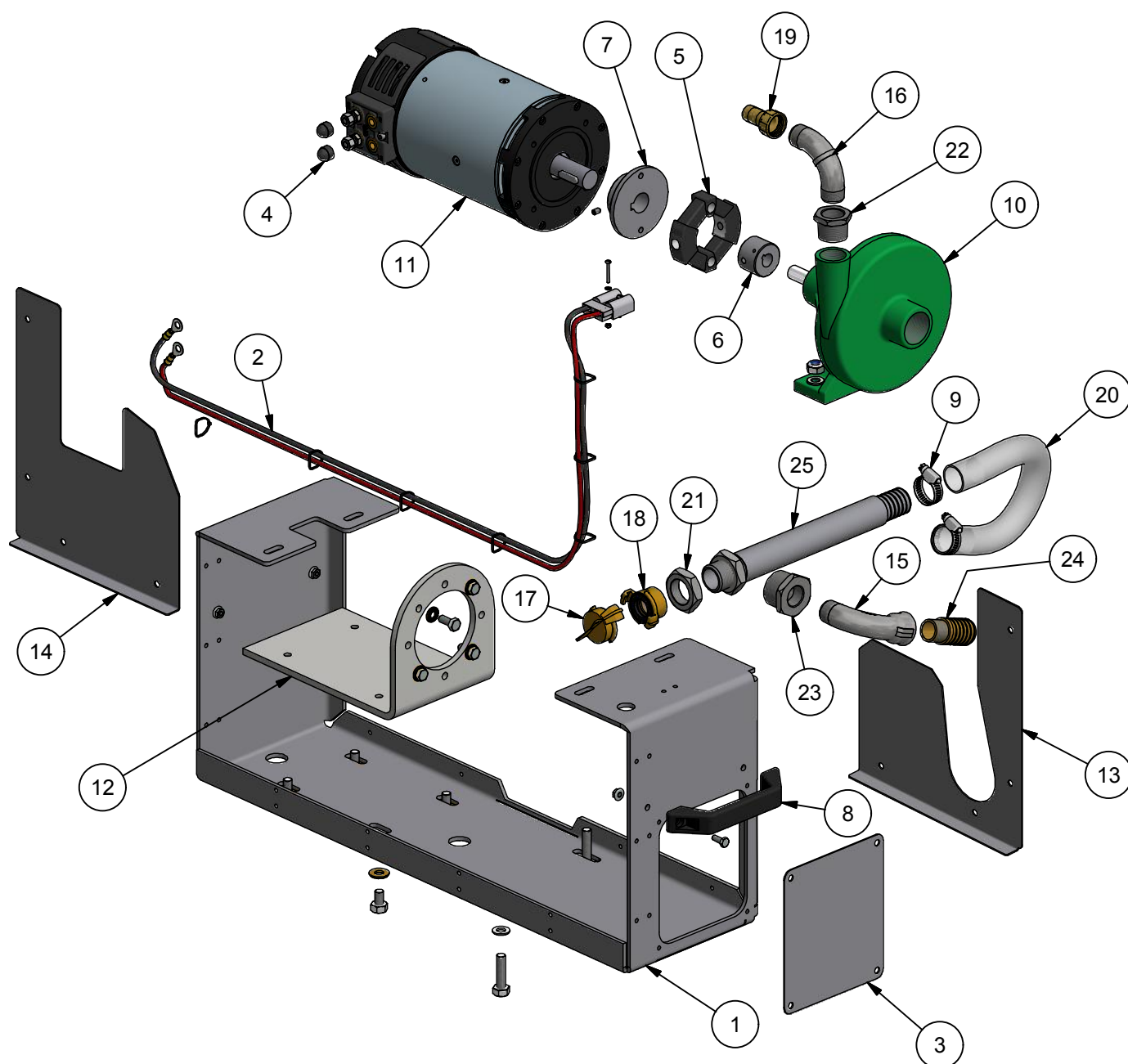


| Pos. | Description | Pcs | Sparepartno | Note |
|------|----------------------------|-----|-------------|-------------------|
| 1 | Door frame right | 1 | 222-000-058 | R |
| 2 | Door frame left | 1 | 222-000-059 | L |
| 3 | Rubber bushing with thread | 70 | 100040456 | M5 |
| 4 | Door | 2 | 022-100-004 | 4mm Polycarbonate |
| 5 | Nylon disc | 70 | 002-655-005 | |
| 6 | Edge rubber list | 2 | 009-100-052 | |
| 7 | Door handle right inside | 1 | 009-100-152 | |
| 8 | Door handle left inside | 1 | 009-100-151 | |
| 9 | Door handle with key | 2 | 009-100-153 | |
| 10 | Distance plate | 4 | FM3361000 | |
| 11 | Male hinge right | 2 | 022-000-053 | |
| 12 | Male hinge left | 2 | 022-000-054 | |
| 13 | Tether holder | 2 | FM4098000 | |
| 14 | Door tether band | 2 | 100047162 | 190 mm |
| 15 | Tether handle | 2 | 100047163 | |
| 16 | Nail | 2 | fm4110000 | |
| 17 | Lock plate | 2 | D0205 | |
| 18 | Door open-holder | 2 | Fm3342000 | |
| 19 | Distance bushing | 2 | fm3359000 | |
| 20 | Disc | 2 | 36-300-012 | |
| 21 | Latch bolt | 2 | FM3342000 | |
| 22 | Setscrew with ballpoint | 2 | 100046591 | |

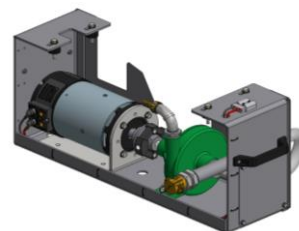
FL4313000

Vandpumpe, Wasserpumpe, Water Pump

EVO EL 4/4-2018KJ



FL4313000 Vandpumpe Wasserpumpe, Water Pump EVO EL 4/4-2018



| <i>Pos.</i> | <i>Description</i> | <i>Pcs</i> | <i>Sparepartno</i> | <i>Note</i> |
|-------------|-----------------------|------------|--------------------|-------------|
| 1 | Mounting box | 1 | 78-604-101 | |
| 2 | Wire harness | 1 | 9806240 | |
| 3 | Inspection cover | 1 | 78-604-102 | |
| 4 | Protection cap | 9 | RM-12338-500 | M8 |
| 5 | Flexible hub | 1 | 001-022-004 | |
| 6 | Coupling | 1 | 001-022-005 | |
| 7 | Coupling | 1 | 001-022-006 | |
| 8 | Handle | 2 | 009-100-017 | |
| 9 | Clamp | 2 | 1150-100038 | 26-38 mm |
| 10 | Watering pump | 1 | 022-000-220 | |
| 11 | Motor with ventilator | 1 | 022-000-226 | DC |
| 12 | Motor flange | 1 | 022-000-244 | |
| 13 | Cover | 1 | 022-000-246 | R |
| 14 | Cover | 1 | 022-000-247 | L |
| 15 | Bend | 1 | 027-300-031 | 3/4" F/M |
| 16 | Bend | 1 | 027-300-032 | 3/4" M/M |
| 17 | Geka Cap | 2 | GEKA EG4 | 1" |
| 18 | Quickconnect Geka | 1 | 100046539 | 1" F |
| 19 | Hose nozzle | 2 | 100046583 | 3/4" F |
| 20 | Water hose | 0,4 | 100047149 | 5/4" |
| 21 | Counternut | 2 | 100047109 | 1" |
| 22 | Bushing | 1 | 100047120 | 1" F 3/4" M |
| 23 | Bushing | 1 | 100047152 | 5/4" F 1" M |
| 24 | Hose nozzle | 1 | FM3542000 | 65 mm |
| 25 | Hose nozzle | 1 | FM4159000 | 300 mm |