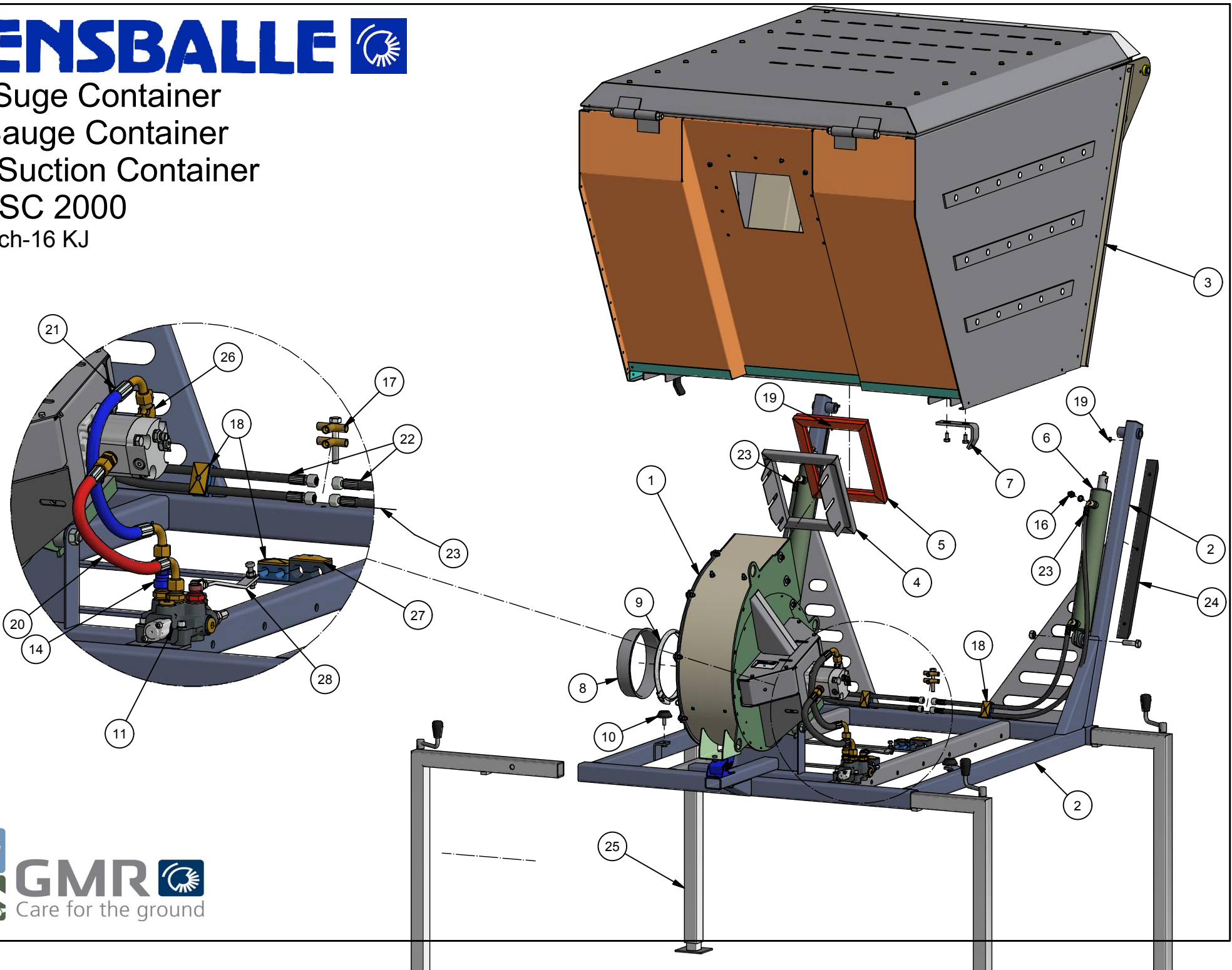


Græs Suge Container
Gras Sauge Container
Grass Suction Container
Model SC 2000
2016-March-16 KJ



STENSBALLE

Græs Suge Container

Gras Saug Container

SC 2000 - 40L Model 2014 - 16/3-2016

Pos.	Description	Pcs	Sparepartno	Note
1	Suction assy	1	SC-L-002	40 L/min
2	Frame	1	SC-C-008	
3	Container	1	SC-C-002	
4	Sealing holder	1	SC-C-109	
5	Sealing	1	2014-0012	1,1 m
6	Cylinder	2	9796039	DV Ø60/ø30 x 370
7	Stop bracket	2	ST-C-055	
8	Stud pipe	1	SC-A-020	
9	Clamping ring	1	SB224	Lindab SB 224
10	Vibration damper	2	51413219006110	
11	Valve	1	DF20/3AC17 (3/4")	Untill 2016
		1	2016-0014 (1/2")	From 2015
12	Bonded seal	1-3	42-000-034	3/4"
13	Nipple	1-3	02BP1208	3/4" x 1/2"
14	Stud branch Tee	1	14BP08	Untill 2016
		1	34BP08	From 2015
15	Bonded seal	4	42-000-014	1/4"
16	Nipple	4	01BP04	1/4"
17	Stud branch Tee	1	77-505-002	1/4" T-stykker
18	Pipe holder	2	2.15-15	15 mm
19	Grease nipple	2	57-000-010	10mm lige
20	Hydraulic hose (P)	1	033-0300-FB080-FB089	Untill 2016
			033-0420-FB080-FB089	From 2015
21	Hydraulic hose (R)	1	033-0250-FB080-FB089	Untill 2016
			033-0520-FB089-FB089	From 2015
22	Hydraulic hose (Up)	2	031-0750-FB080-FB089	1/4"
23	Hydraulic hose (Down)	2	031-1150-FB080-FB080	1/4"
24	Stop rail	2	SC-C350-125	
25	Support legs	4	SC-B-001	
26	Male stud elbow	1	16BP08	1/2"
27	Pipe holder	2	3.22/22	22 mm
28	Pull nut	1	SC-C-128	Untill 2016
	Lever for valve	1	SC-C-130	From 2015

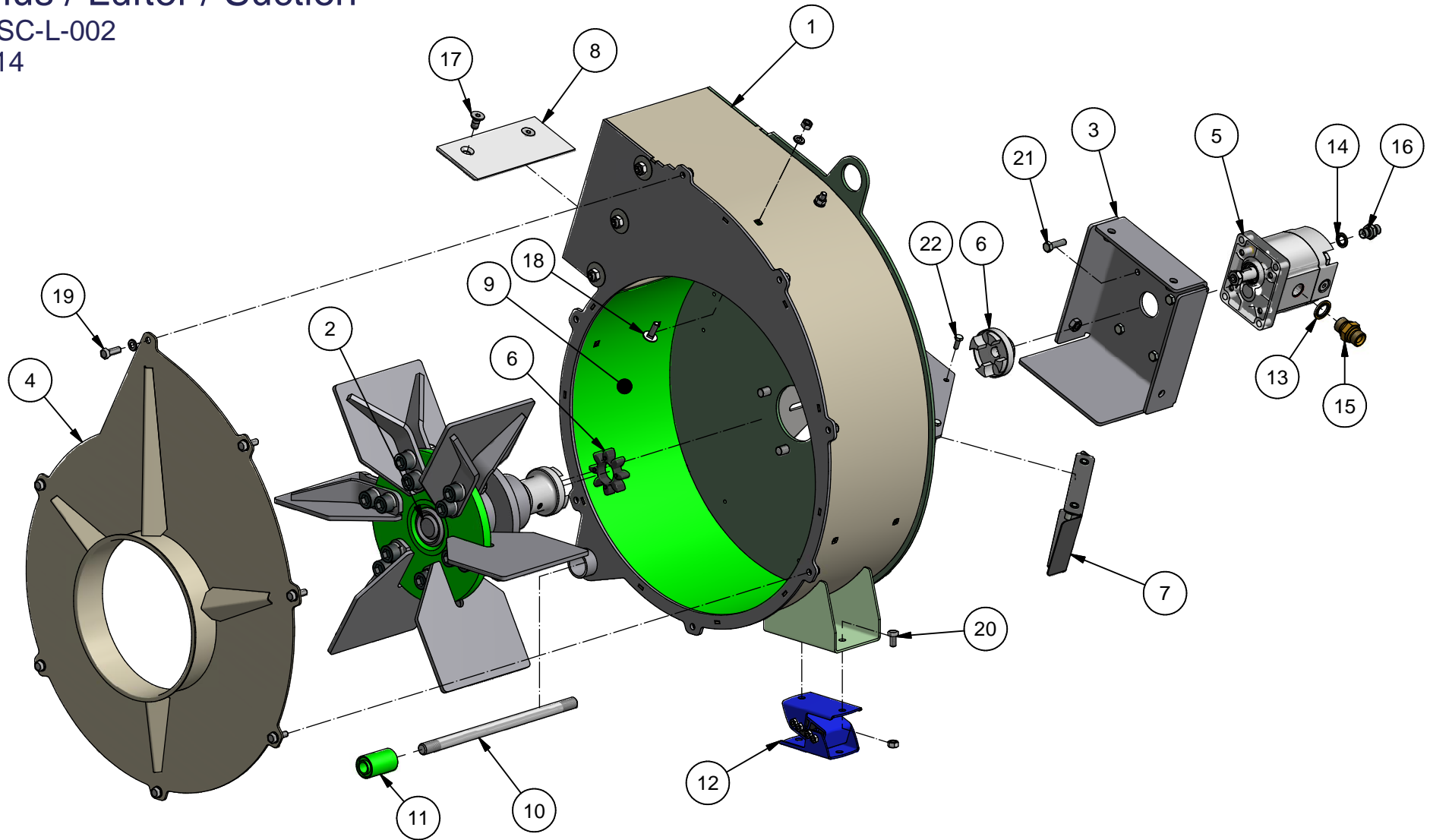
GMR 
Care for the ground

Saturnvej 17. DK 8700 Horsens
Tlf.:+4575643611 Fax:+45645320
E-mail: stensballe@gmr.dk Web: www.gmr.dk

Løbehus / Lüfter / Suction

Part no SC-L-002

28/5-2014



STAMA-HTF

STENSBALLE

NESBO

STENSBALLE

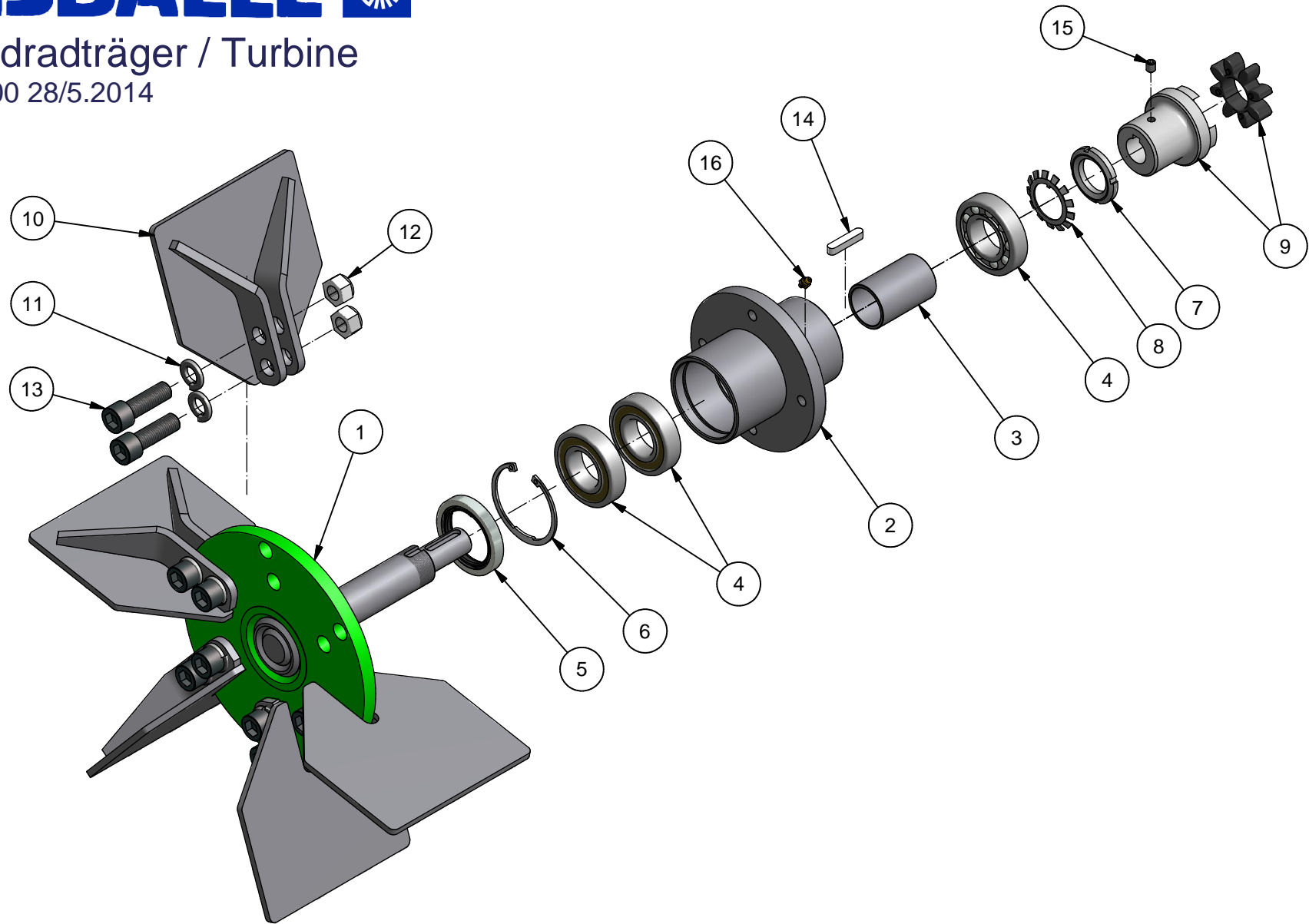
Løbehus / Lüfter

Part no. SC-L-002 28/5-2014

<i>Pos.</i>	<i>Description</i>	<i>Pcs</i>	<i>Sparepartno</i>	<i>Note</i>
1	Turbine housing	1	SC-L-022	
2	Rotor assy	1	ST-L-100	
3	Motor console	1	SC-L-052	
4	Cover	1	SC-L-045	
5	Motor w bypass valve	1	2SMA14RK-002	
6	Clutch	1	SC-A-100	
7	Side cover	2	SC-L-073	
8	Cutter	1	ST-L-021	
9	Baffle plate	1	ST-L-051	
10	Damper axle	1	ST-L-038	
11	Damper bushing	2	ST1632-5054	
12	Vibration damper	1	ESL18-05021002	
13	Bonded seal	2	42-000-012	1/2"
14	Bonded seal	1	42-000-014	1/4"
15	Nipple	2	01BP08	1/2"
16	Nipple	1	01BP04	1/4"
17	Countersunk screw	2	32-010-020	
18	Screw with square neck	6	30-108-025	ISO 8677
19	Machine screw	7	29-108-025	
20	Machine screw	2	29-108-016	
21	Machine screw	4	29-108-030	
22	Machine screw	8	29-106-016	

GMR 
Care for the ground

Saturnvej 17. DK 8700 Horsens
Tlf.: +4575643611 Fax: +45645320
E-mail: stensballe@gmr.dk Web: www.gmr.dk



STENSBALLE

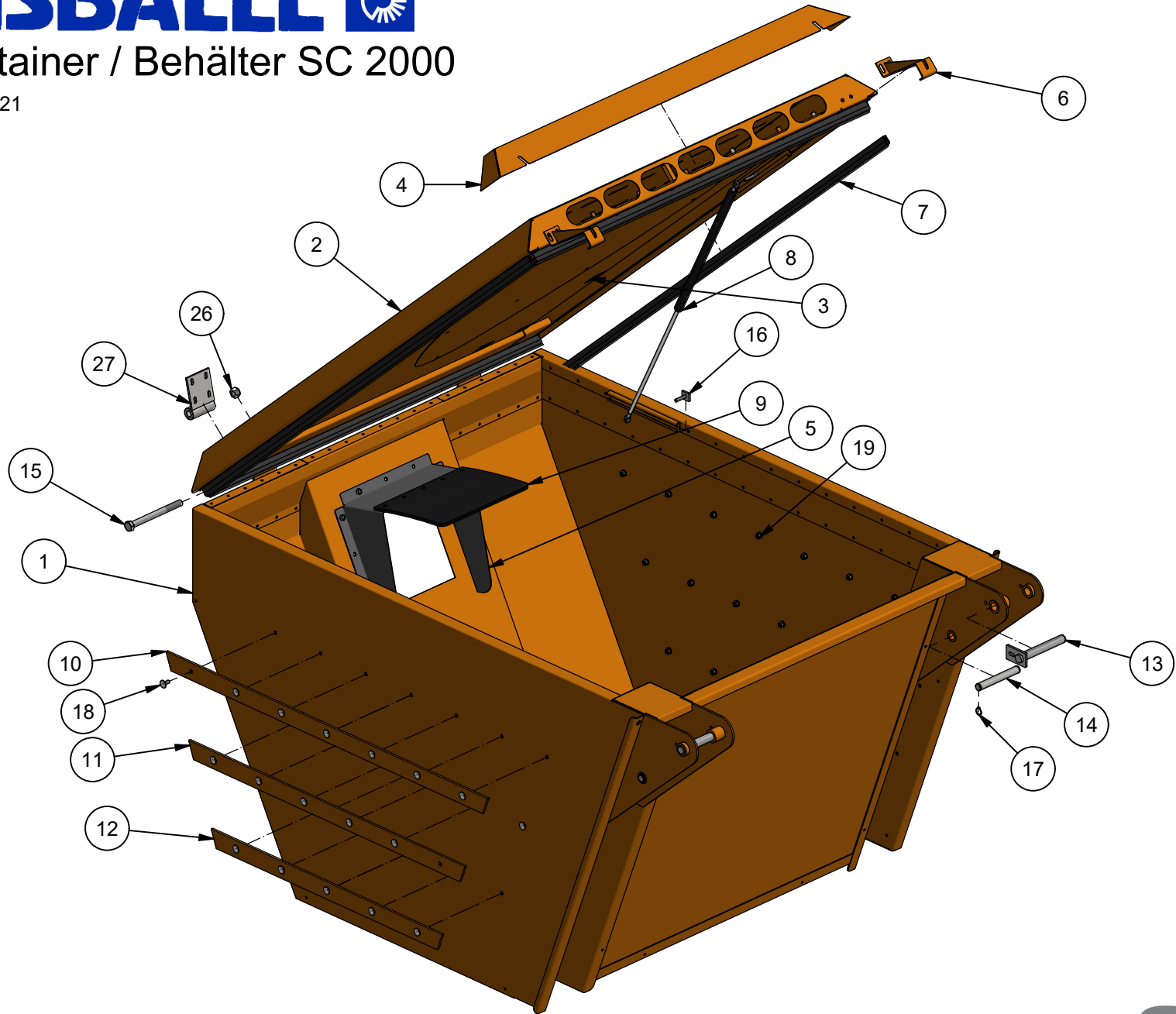
Møllesamling / Windradtræger / Rotor assy

Part no. ST-L-100 28/5-2014

<i>Pos.</i>	<i>Description</i>	<i>Pcs</i>	<i>Sparepartno</i>	<i>Note</i>
1	Axle	1	ST-L-110	
2	Bearing housing	1	ST-L-120	
3	Spacer bushing	1	ST-L-101	
4	Ball bearing	3	54-016-207	
5	Shaft seal	1	14-725-010	
6	Circlip	1	20-002-072	J72 DIN 472
7	Locknut	1	31-300-035	
8	Lock washer	1	35-100-035	
9	Coupling	1	SC-A-100	
10	Wing	6	ST-L-005-13	
11	Span washer	12	35-000-016	
12	Locknut	12	31-101-016	
13	Cylinder head screw	12	32-116-050	
14	Key type A	1	34-108-740	
15	Set screw	1	32-208-010	
16	Grease nipple	1	57-000-006	

GMR 
Care for the ground

Saturnvej 17. DK 8700 Horsens
Tlf.: +4575643611 Fax: +45645320
E-mail: stensballe@gmr.dk Web: www.gmr.dk





M1,5 m³ Container / Behälter SC 2000 **STENSBALLE**

Article 21-06-000

11/6-2021 KJ

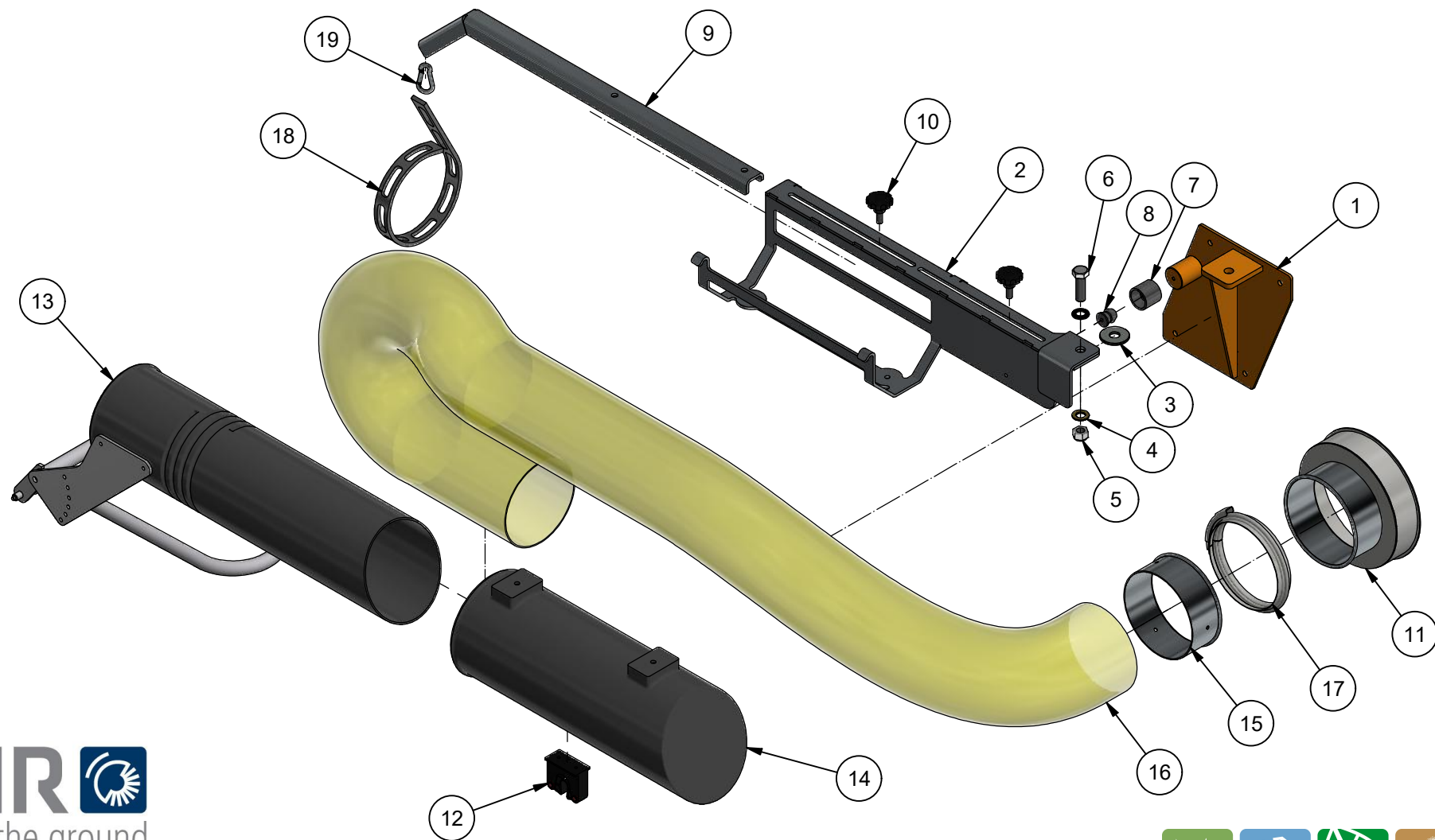
Pos.	Benævnelse	Designation	Gegenstand	#	Partnr.	Note
1	Container	Container	Behälter	1	21-06-050	1,5 m ³
2	Låg	Lid	Dach	1	21-06-110	
3	Hulplade for låg	Perforated plate	Dachabluftblech	1	SC-C15-120	
4	Ud-ledeplade	Deflector hood	Leitblech	1	ST-C-088	
5	Indpustningshætte	Baffle	Abweishaub	1	ST-C-054	
6	Låsehægte	Lock	Verriegelung	2	ST-C-060	
7	Gummiprofil m. slange på ryggen	Edge trim w. rubber profile	Kantenverkleidung m. Gummiprofil	5,6	009-100-110	ø18
8	Gascylinder	Gas spring	Gaszylinder	1	GF10-22-400	ø8
9	Gummiflap	Rubber	Gummi	1	ST-C350-203	
10	Forstærkning	Stiffener	Verstärkung	2	SC-C-068-1	
11	Forstærkning	Stiffener	Verstärkung	2	SC-C-068-2	
12	Forstærkning	Stiffener	Verstärkung	2	SC-C-068-3	
13	Nagle	Bolt	Nagel	2	N22x150-30	
14	Nagle for cylinder	Bolt	Nagel f. Zylinder	2	SC-C-098	
15	Maskinskrue	Machine screw	Sechskantschraube	2	28-116-180	M16x180
16	Bolt for gascylinder	Screw for gas spring	Bolzen f. Gaszylinder	2	SC-C-126	
17	Låsering	Circlip	Sicherungsring	4	20-001-018	DIN 471
18	Bræddebolt	Screw with square nech	Schraube mit Vierkantansatz	36	30-108-020	M8x20 DIN 603
19	Møtrik	Nut	Mutter	36	31-001-008	M8
26	Låsemøtrik	Lock nut	Sicherungsmutter	2	31-101-016	M16
27	Hængsel	Hinge	Scharnier	2	SC-C10-130	

STENSVALLE

Option SC-H-000

6 m Håndugeslange, Suction hose, Handsaugschlauch

29/10-2019 KJ



GMR 
Care for the ground

STAMA | STENSVALLE | NESBO | ELKÆR





Option SC-H-000 6 meter

Håndsugeslange, Suction hose, Handsaug Schlauch

29/10-2019 KJ



Pos.	Benævnelse	Designation	Gegenstand	#	Partnr.	Note
1	Monteringsplade	Base plate	Grundplatte	1	SC-H-120	
2	Slangeholder	Hose holder	Schlauchhalter	1	SC-H-110	
3	Svær skive	Heavy duty washer	U-Scheibe, schwer	1	36-150-016	
4	Rille skive	Contact washer	U-Scheibe	2	35-200-016	
5	Låsemøtrik	Locknut	Sicherungsmutter	1	31-101-016	
6	Sætskrue	Set screw	Stellschraube	1	29-116-050	
7	Gummiholder hun	Rubber lock	Gummischloss	1	91-88-036	
8	Gummiholder han	Rubber plug	Gummistopfen	1	91-88-037	
9	Udskudsarm	Extension arm	Ausleger	1	78-412-255	
10	Fingergreb	Finger grip	Stern-Griff	2	43-710-040	M10
11	Slangestuds reduktion	Hose stud	Schlauchanschluss	1	SC-A-035	9" -> 6"
12	Redskabsholder	Parking lock f/ Grib handle	Werkzeughalter	1	2881100	
13	Sugehåndtag komplet	Suction handle	Sauggriff	1	027-200-044	
14	Magasin for sugespids	Suction tip container	Saugrohrbehälter	1	555-034-291	
15	Rør med rullekant	Tube with rolled edge	Rohr mit Rollenkante	1	1039-60-4	
16	Sugeslange klar	Suction hose	Saugschlauch	6 m	220-020-00	
17	Spændering	Quick lock	Klemmring	1	1009060	6"
18	Stigestrop	Rubber strap	Kautschukband	2 m	2015-0002	
19	Brandmandshage	Carabin hook	Karabinhaken	1	1554-084007	

