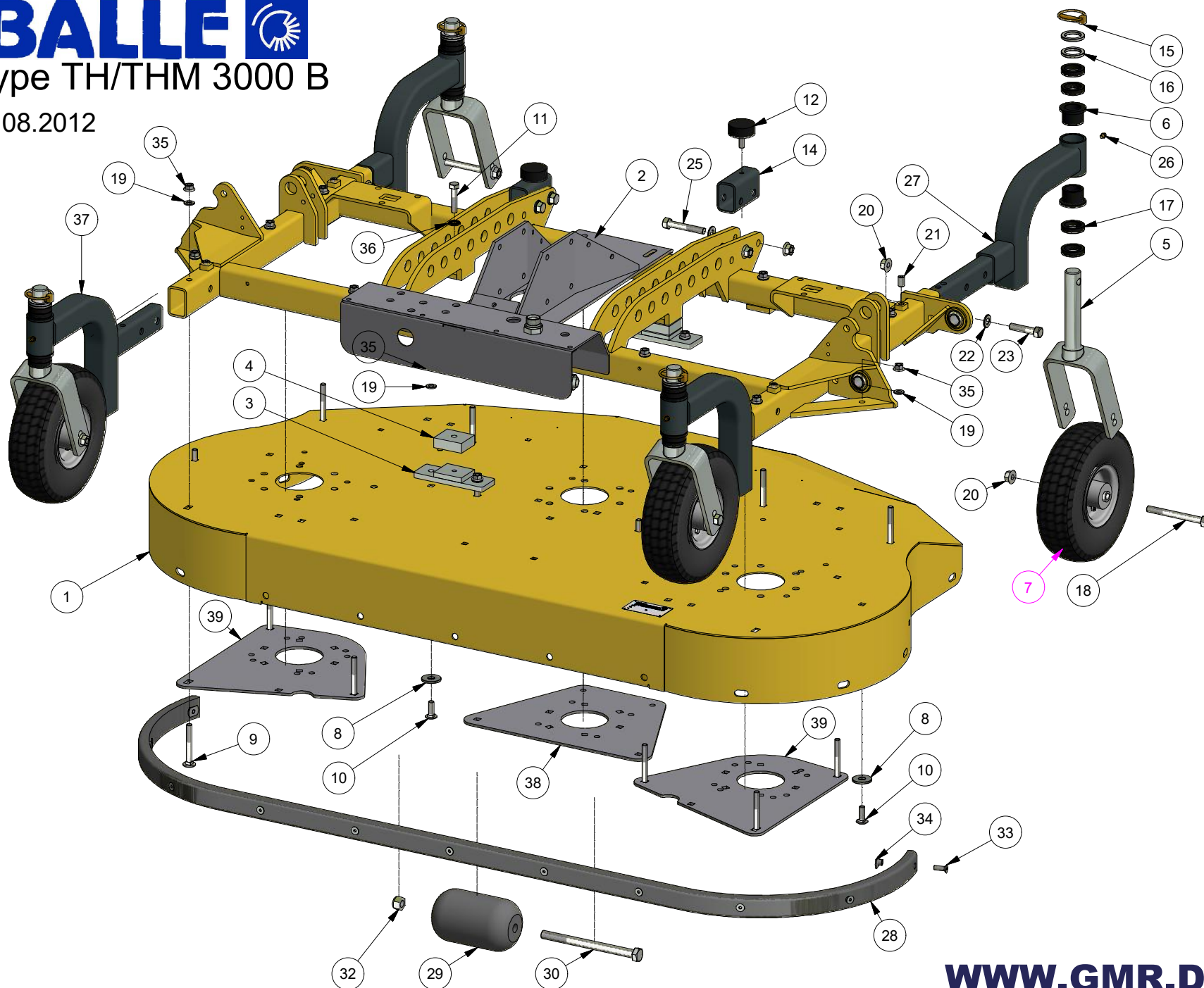


STENSBALLE

Rotary mower type TH/THM 3000 B

Model 2009 - 27.08.2012

Center unit - base



STENSBALLE

Rotary mower type TH/THM 3000B

Model 2009 - 27.08.2012

Center unit - base

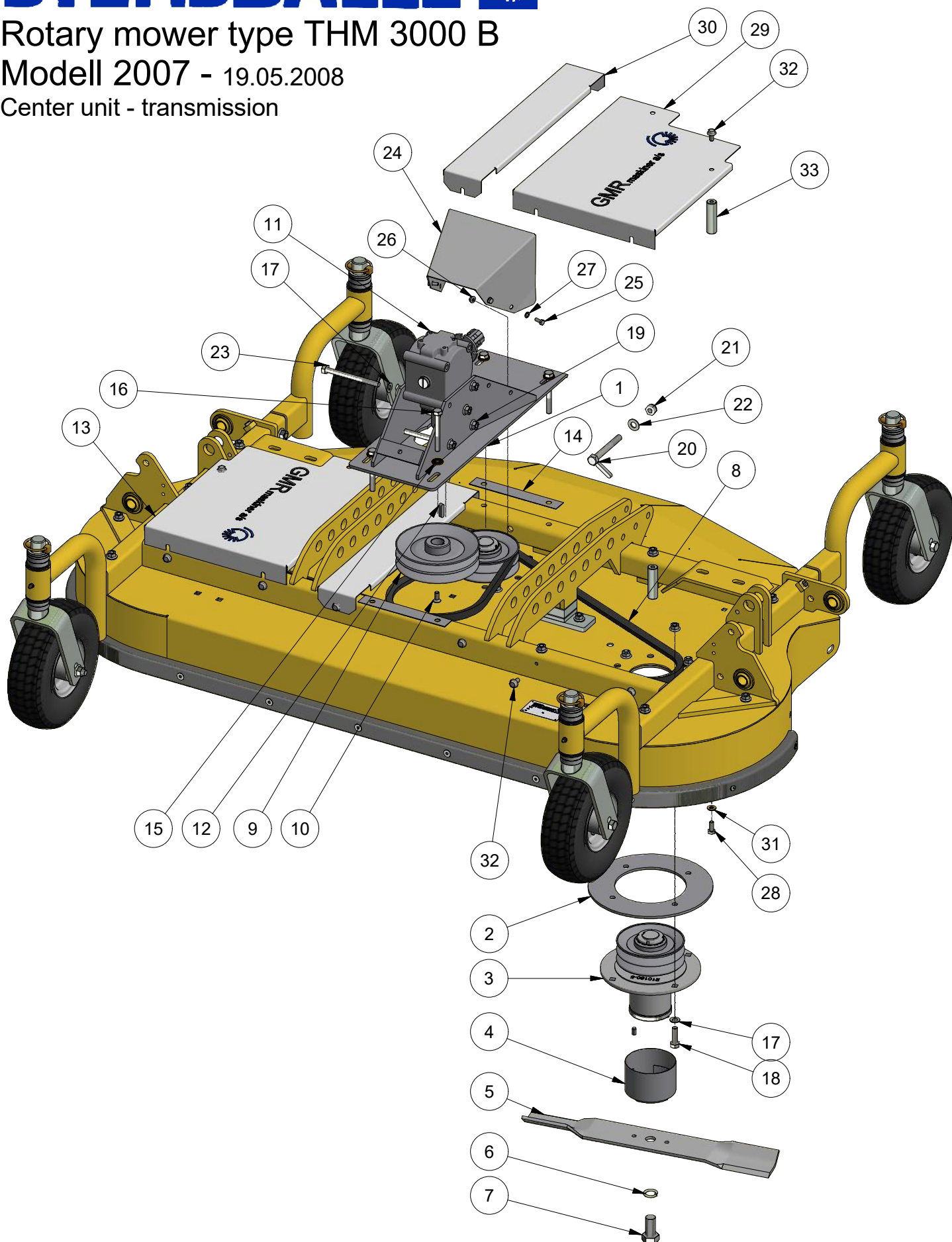
<i>Pos.</i>	<i>Description</i>	<i>Ps.</i>	<i>Number</i>	<i>Remarks</i>
1	Rotary shield - center	1	77-701-110	
2	Main frame - center	1	77-904-220	
3	Mounting bracket	2	77-604-830	
4	Distance plate	2	77-604-802	
5	Wheel fork	4	15-205-400	
6	Bushing	8	91-72-081	
7	Air rubber wheel	4	19-161-103	
8	Washer - heavy	8	36-140-012	
9	Cup square bolt	10	30-110-080	
10	Cup square bolt	6	30-110-030	
11	Bolt	2	28-110-050	
12	Rubber puffer	2	91-25-126	
14	Bracket for rubber puffer	2	77-411-501	
15	Tension pin	4	38-000-011	
16	Spacer	8	210259-1	
17	Spacer	16	210259	
18	Bolt	4	28-112-120	
19	Facet washer	16	36-300-010	
20	Locking nut	8	31-101-012	
21	Stop screw	4	32-212-020	
22	Facet washer	8	36-300-012	
23	Bolt	4	28-112-055	
25	Bolt	4	28-112-075	
26	Greaser	4	57-000-008	
27	Wheel bracket - straight	2	77-901-710	
28	Sliding shine	1	77-701-101	
29	Roll - POM	1	128545	
30	Bolt	1	28-116-200	
32	Locking nut	1	31-101-016	
33	Unbraco screw - countersink	13	32-008-025	
34	Welding nut with flange	13	31-800-008	
35	Flanged nut	16	31-601-010	
36	Contact washer	2	35-200-010	
37	Wheelbracket - front	2	77-904-170	
38	Support bracket mid-center	1	77-701-190	
39	Support bracket mid-side	2	77-701-192	



Rotary mower type THM 3000 B

Modell 2007 - 19.05.2008

Center unit - transmission



STENSBALLE

Rotary mower type TH/THM 3000B

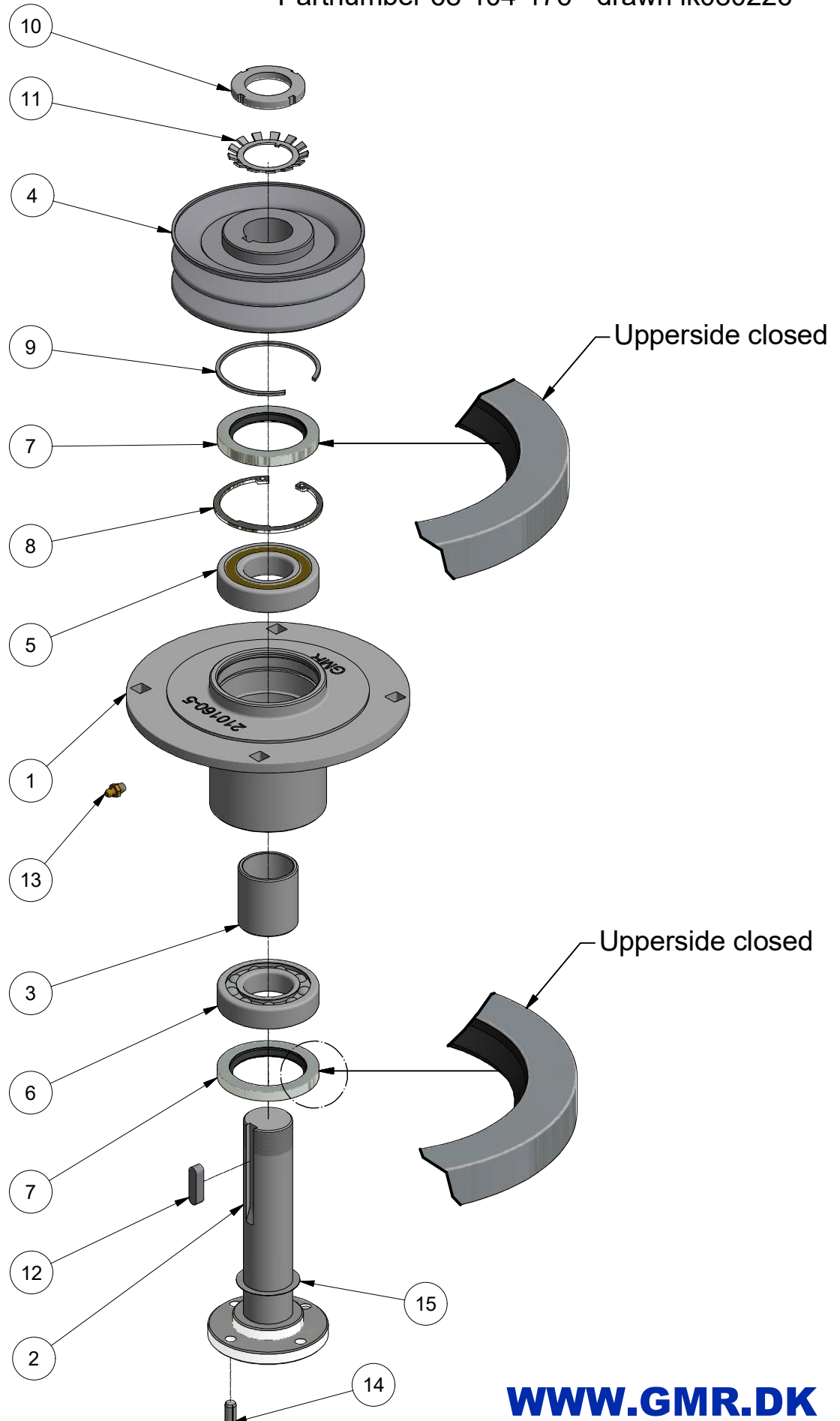
Model 2009 - 27.08.2012

Center unit - transmission

<i>Pos.</i>	<i>Description</i>	<i>Ps.</i>	<i>Number</i>	<i>Remarks</i>
1	Gearbox console	1	77-411-670	1000,2000 RPM
	Gearbox console	1	77-411-675	540,750 RPM
2	Bracket for bearing housing	3	77-703-199	
3	Bearing housing - complet	3	68-104-176	See later
4	Protector cup	3	210224	
5	Rotary knife	3	04-212-210	Rightturning - standard
	Rotary knife	3	04-212-230	Rightturning - low lift
	Rotary knife	3	04-212-235	Rightturning - low lift Gator
6	Spring washer	3	35-000-020	
7	Set screw	3	29-220-040	
8	V-belt	2	10-003-073	540 RPM
	V-belt	2	10-003-072	750,1000,2000 RPM
9	Belt pulley for gearbox	1	81-532-150	750,1000,2000 RPM
	Belt pulley for gearbox	1	81-532-180	750 RPM
10	Unbraco screw	1	32-008-020	
11	Gearbox - right angle	1	124913	540,750 RPM - left turning
	Gearbox - right angle	1	124029	540,750 RPM - right turning
	Gearbox - T-shape	1	S1018053G122	1000 RPM
	Gearbox - T-shape	1	S1018100G122	2000 RPM
12	Parallel key	1	34-108-730	
13	Shield - right/outher	1	77-703-104	
14	Spacer for gearbox console	2	77-604-806	
15	Contact washer	16	35-200-010	
16	Bolt	4	28-110-085	
17	Washer	16	36-300-010	
18	Set screw	12	29-110-035	
19	Flanged nut	12	31-601-010	
20	Tension bolt	1	77-605-130	
21	Lock nut	1	31-101-012	
22	Washer	1	36-300-012	
23	Bolt	4	28-110-120	
24	PTO-cover	1	77-502-607	
25	Set screw	4	29-106-016	
26	Flanged nut	4	31-601-006	
27	Washer	4	36-300-006	
28	Set screw	4	29-108-020	
29	Shield - left/outher	1	77-502-903	
30	Shield - inner	2	77-605-105	
31	Contact washer	4	35-200-008	
32	Flanged bolt	10	29-308-016	
33	Spacer for shield	4	77-502-918	

Housing and shaft unit - model 2008

Partnumber 68-104-176 - drawn Ik080226



STENSBALLE

Bearing housing complete

Model 2008 - 19.05.2008

Spare part no. 68-104-176

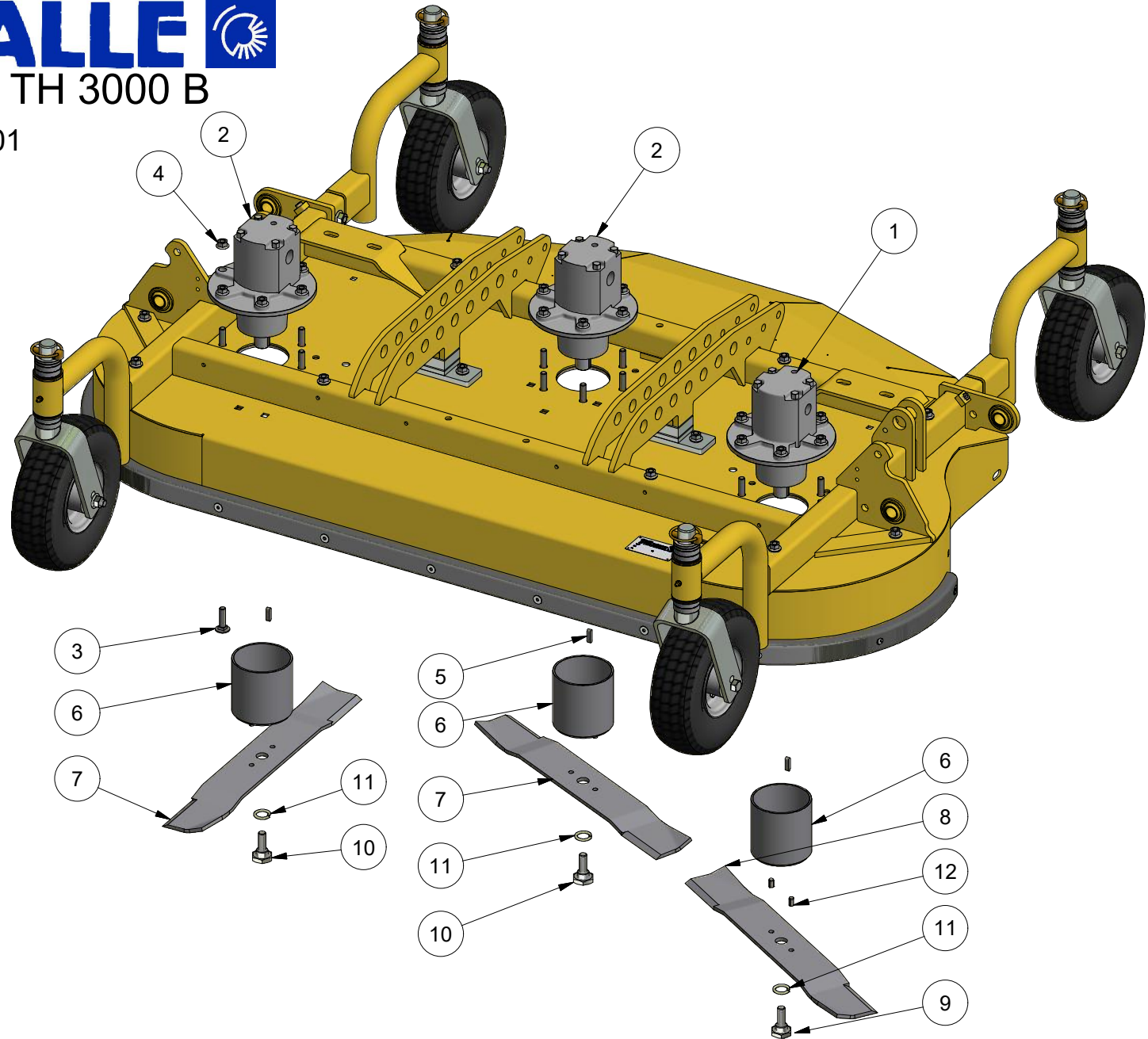
<i>Pos.</i>	<i>Description</i>	<i>Ps.</i>	<i>Number</i>	<i>Remarks</i>
1	Bearing housing	1	210160-5	
2	Knife shaft	1	15-206-450	
3	Spacer	1	56-135-046	
4	Belt pulley	1	11-732-125	
5	Ball bearing	1	54-016-207	Top
6	Ball bearing	1	54-036-207	Bottom
7	Stuffing box	2	14-725-008	
8	Locking ring	1	20-002-072	
9	Locking ring Ø72	1	SB 72	
10	Locking nut	1	31-300-035	
11	Loching washer	1	35-100-035	
12	Parallel key	1	34-108-730	
13	Greaser	1	57-000-008	
14	Cylinder pin	2	38-508-016	

STENSBALLE

Rotary mower type TH 3000 B

Model 2007 - Ik080901

Center deck full hydraulic



STENSBALLE

Rotary mower type TH/THM 3000B

Model 2009 - 27.08.2012

Center deck full hydraulic

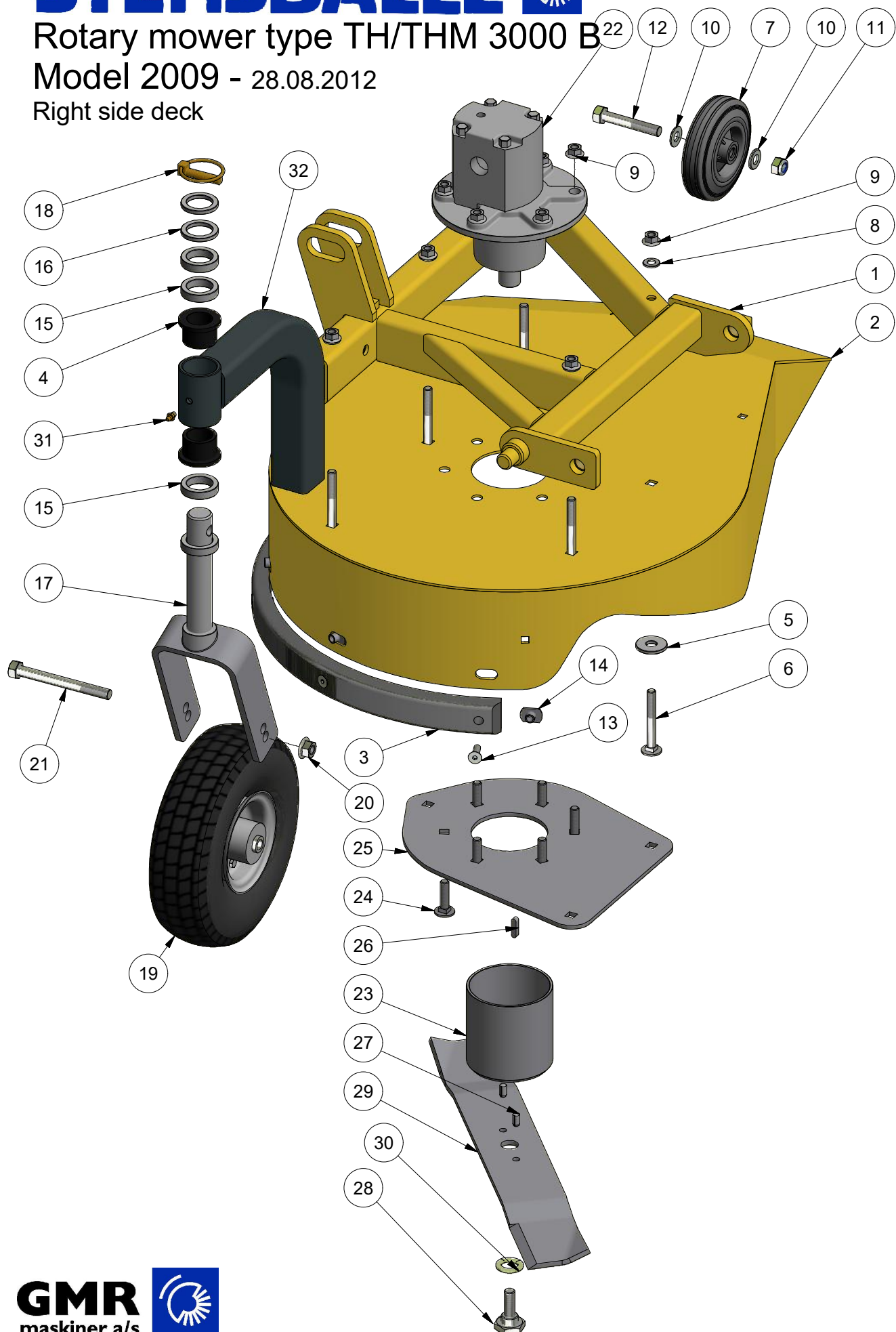
<i>Pos.</i>	<i>Description</i>	<i>Ps.</i>	<i>Number</i>	<i>Remarks</i>
1	Hydraulic motor - leftturning	1	GMR25C	60-65 l/min
1	Hydraulic motor - leftturning	1	GMR28C	70-75 l/min
2	Hydraulic motor - rightturning	2	GMR25A	60-65 l/min
2	Hydraulic motor - rightturning	2	GMR28A	70-75 l/min
3	Support bracket - mid-side	1	77-701-192	
4	Cup Square bolt	18	30-110-040	
5	Flanged nut	18	31-601-010	
6	Parallel key	3	GMR-NOT	
7	Knife bracket	3	77-411-640	
8	Knife - right turning	2	04-212-210	Standard knife
	Knife - right turning	2	04-212-230	Low-lift knife
	Knife - right turning	2		Gator knife
9	Knife - left turning	1	04-212-224	Standard knife
	Knife - left turning	1	04-212-220	Low-lift knife
	Knife - left turning	1	04-212-225	Gator knife
10	Knife bolt - left-handed	1	77-411-614	
11	Knife bolt - right-handed	2	77-411-604	
12	Center spring washer	3	77-701-190	
13	Cylinder pin	6	38-508-016	
14	Support bracket - center	1	77-701-190	



Rotary mower type TH/THM 3000 B

Model 2009 - 28.08.2012

Right side deck



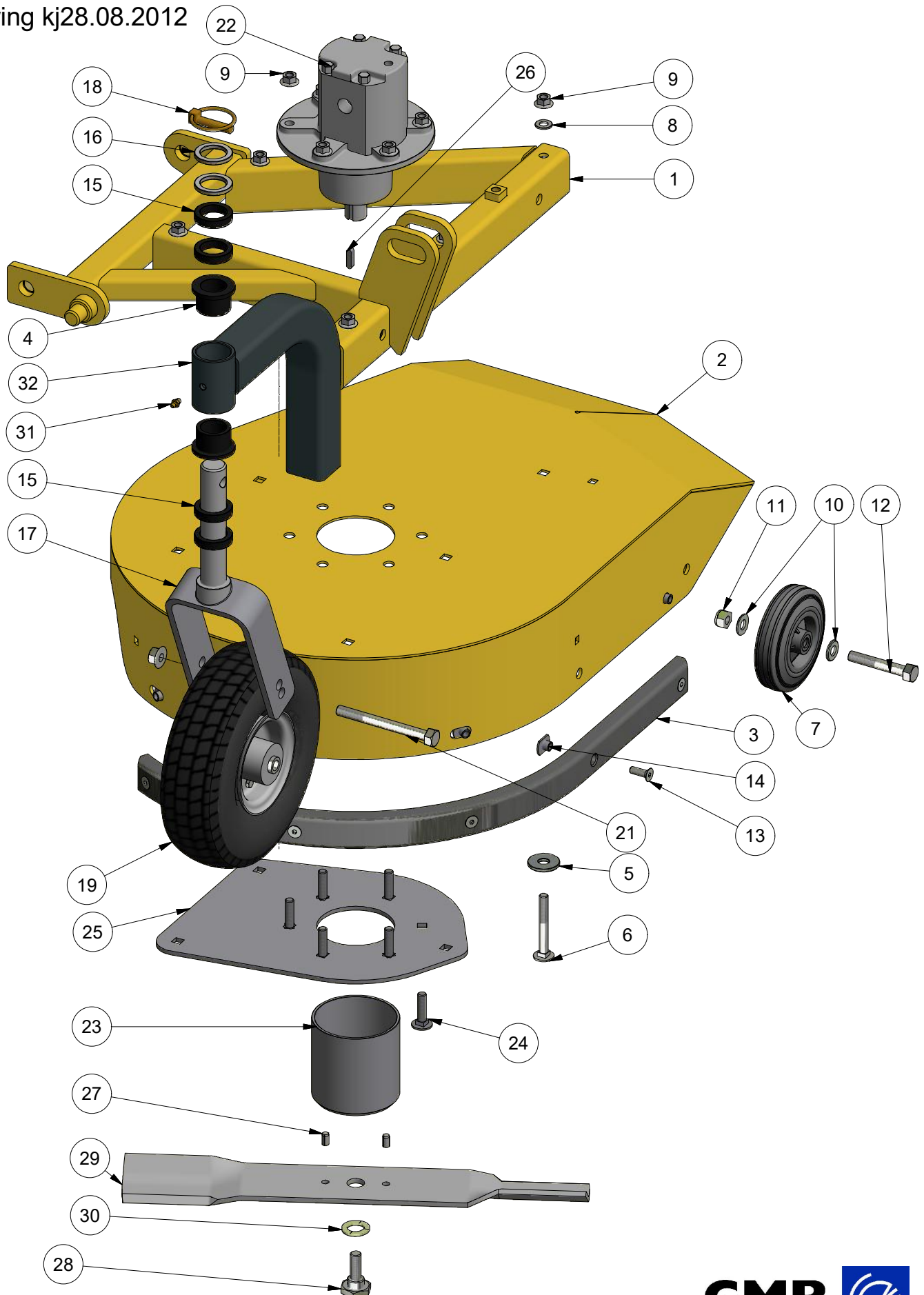
STENSBALLE

Rotary mower type TH/THM 3000B

Model 2009 - 27.08.2012

Right side deck

<i>Pos.</i>	<i>Description</i>	<i>Ps.</i>	<i>Number</i>	<i>Remarks</i>
1	Main frame - right	1	77-904-260	
2	Rotary shielding - right	1	77-701-150	
3	Glide edge	1	77-411-503	
4	Flanged bushing	2	91-72-081	
5	Washer - heavy	2	36-140-012	
6	Cup Square bolt	5	30-110-080	
7	Wheel with needle bearing	1	11PRR125	
8	Washer	5	36-300-010	
9	Flanged nut	11	31-601-010	
10	Washer	4	36-300-012	
11	Locking nut	1	31-101-012	
12	Bolt	1	28-112-075	
13	Unbraco screw countersink	7	32-008-025	
14	Welding nut with flange	7	31-800-008	
15	Spacer	4	210259	
16	Spacer	2	210259-1	
17	Wheel fork	1	15-205-400	
18	Tension pin	1	38-000-011	
19	Air rubber wheel	1	19-161-103	
20	Nut	1	31-001-012	
21	Bolt	1	28-112-120	
22	Hydraulic motor - right turning	1	GMR22A	50 - 55 L/min
	Hydraulic motor - right turning	1	GMR25A	60 - 65 L/min
	Hydraulic motor - right turning	1	GMR28A	70 - 75 L/min
23	Knife bracket	1	77-411-640	
24	Cup Square bolt	6	30-110-040	
25	Support bracket - wings	1	77-701-193	
26	Parallel key	1	31-114-141	
27	Cylinder pin	2	38-508-016	
28	Knife bolt - right-handed	1	77-411-604	
29	Knife - rightturning	1	04-212-210	Standard knife
	Knife - rightturning	1	04-212-230	Low-lift knife
	Knife - rightturning	1	04-212-235	Gator bio knife
30	Center spring washer	1	35-400-020	
31	Greaser	1	57-000-008	
32	Wheel bracket - front	1	77-904-170	



STENSBALLE

Rotary mower type TH/THM 3000B

Model 2009 - 27.08.2012

Left side deck

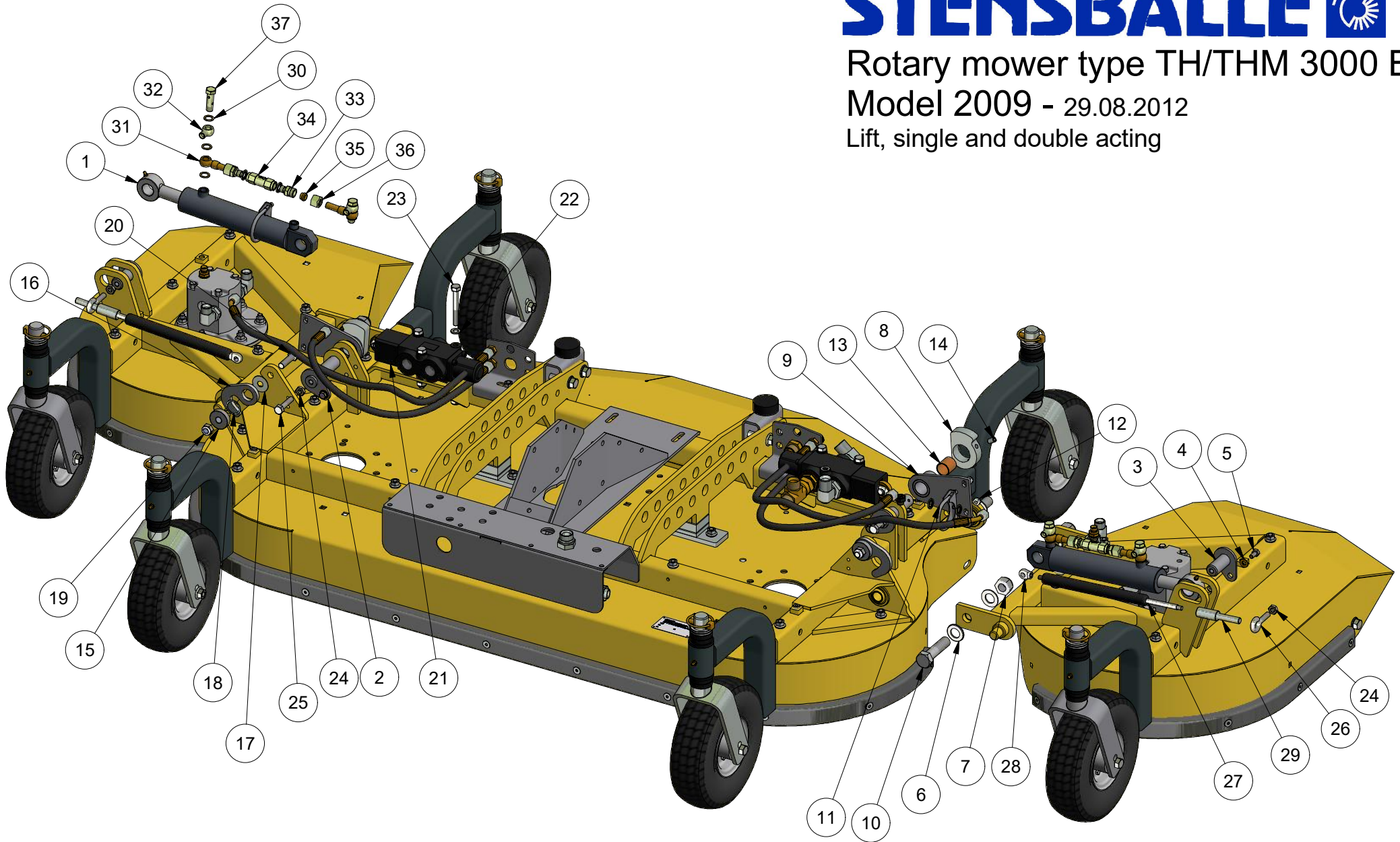
<i>Pos.</i>	<i>Description</i>	<i>Ps.</i>	<i>Number</i>	<i>Remarks</i>
1	Main frame - left	1	77-904-240	
2	Rotary shielding - left	1	77-701-130	
3	Glide edge	1	77-411-503	
4	Flanged bushing	2	91-72-081	
5	Washer - heavy	2	36-140-012	
6	Cup Square bolt	5	30-110-080	
7	Wheel with needle bearing	1	11PRR125	
8	Washer	5	36-300-010	
9	Flanged nut	11	31-601-010	
10	Washer	4	36-300-012	
11	Locking nut	1	31-101-012	
12	Bolt	1	28-112-075	
13	Unbraco screw countersink	7	32-008-025	
14	Welding nut with flange	7	31-800-008	
15	Spacer	4	210259	
16	Spacer	2	210259-1	
17	Wheel fork	1	15-205-400	
18	Tension pin	1	38-000-011	
19	Air rubber wheel	1	19-161-103	
20	Nut	1	31-001-012	
21	Bolt	1	28-112-120	
22	Hydraulic motor - left turning	1	GMR22C	50 - 55 L/min
	Hydraulic motor - left turning	1	GMR25C	60 - 65 L/min
	Hydraulic motor - left turning	1	GMR28C	70 - 75 L/min
23	Knife bracket	1	77-411-640	
24	Cup Square bolt	6	30-110-040	
25	Support bracket - wings	1	77-701-193	
26	Parallel key	1	31-114-141	
27	Cylinder pin	2	38-508-016	
28	Knife bolt - left-handed	1	77-411-614	
29	Knife - left turning	1	04-212-240	Standard knife
	Knife - left turning	1	04-212-220	Low-lift knife
	Knife - left turning	1	04-212-225	Gator bio knife
30	Center spring washer	1	35-400-020	
31	Greaser	1	57-000-008	
32	Wheel bracket - front	1	77-904-170	

STENSBALLE

Rotary mower type TH/THM 3000 B

Model 2009 - 29.08.2012

Lift, single and double acting



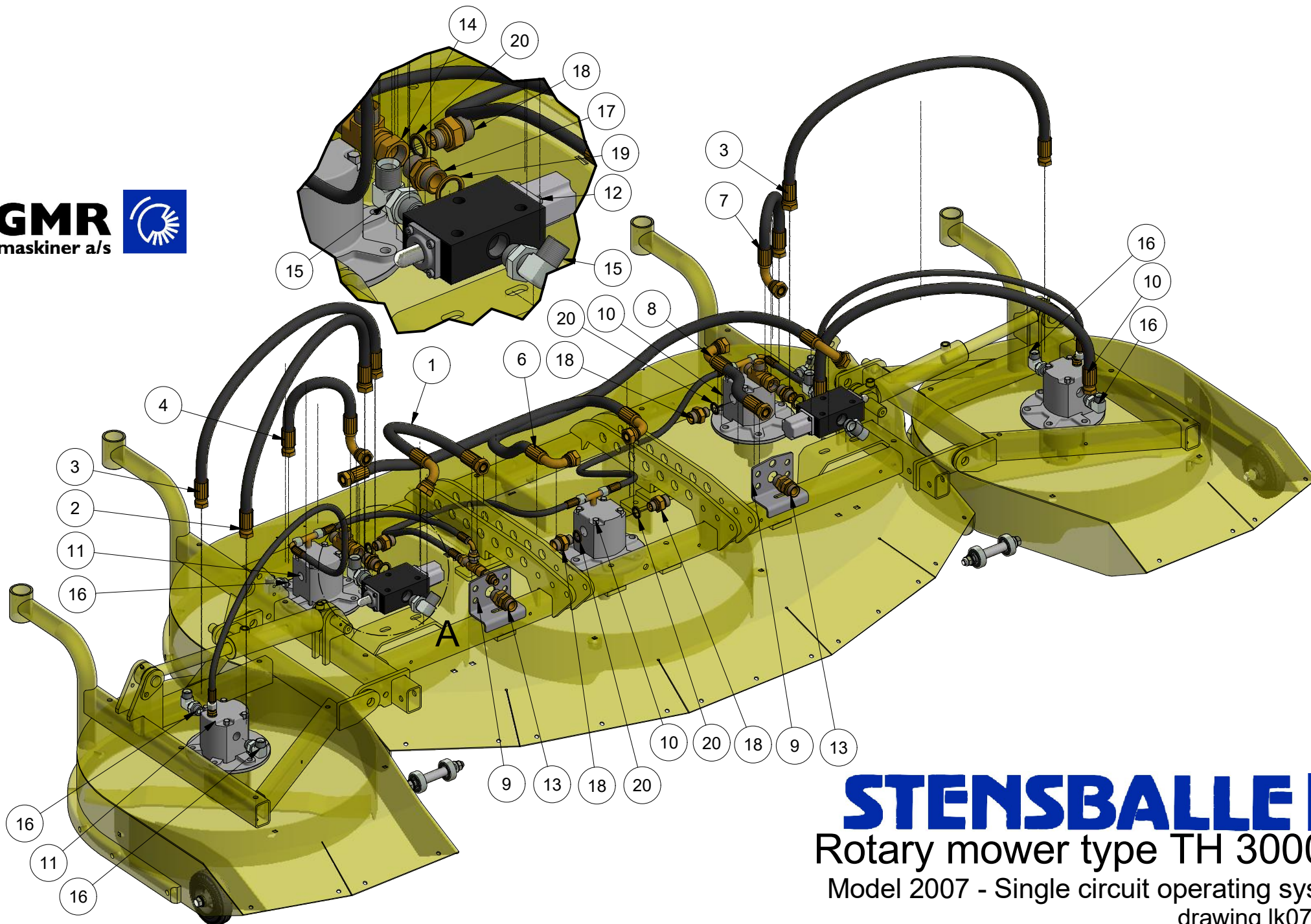
STENSBALLE

Rotary mower type TH/THM 3000B

Model 2009 - 20/9-2012

Lift, single and double acting

<i>Pos.</i>	<i>Description</i>	<i>Ps.</i>	<i>Number</i>	<i>Remarks</i>
1	Cylinder	2	01-640-207	
2	Cylinder bolt - long	2	77-411-630	
3	Cylinder bolt - short	2	77-411-635	
4	Contact washer	4	35-200-008	
5	Set screw	4	29-108-016	
6	Washer	8	36-300-020	
7	Locking nut	4	31-101-020	
8	Cam	2	77-411-707	
9	Bracket for cam	2	77-411-610	
10	Bolt	4	28-120-080	
11	Clamp	2	1160-100051	
12	Locking nut	4	31-101-008	
13	Bushing	2	54-625-030	
14	Stop screw	4	32-210-016	
15	Bushing for lock	2	RD8-038-00	
16	Lock for arm	2	77-701-203	
17	Washer	2	36-200-012	
18	Wave washer	2	36-925-105	
19	Locking nut	2	31-101-012	
20	Set screw	2	29-112-045	
21	Changing valve	2	DF20/3AC17	
22	washer	12	36-300-010	
23	Bolt	6	28-110-080	
24	Lock nut	4	31-201-010	Only by single acting
25	Bolt	2	28-110-045	Only by single acting
26	Lifting eye bolt	2	30-910-030	Only by single acting
27	Gas spring pressure 400 N	2	GF10-22-175	Only by single acting
28	End piece for gas spring	2	280.933	Only by single acting
29	End piece for gas spring	2	77-701-103	Only by single acting
30	Copper washer	12	42-100-014	Only by double acting
31	Banjo with pipe	4	77-411-607	Only by double acting
32	Banjo	4	42BP0404	Only by double acting
33	Bulkhead	4	A12LR1/4	Only by double acting
34	Check valve	2	4230-0419	Only by double acting
35	Cutter ring $\varnothing 12$	4	DS12L	Only by double acting
36	Nut	4	M 12 L	Only by double acting
37	Dubble banjo bolt	4	53BP04	Only by double acting



STENSBALLE 
 Rotary mower type TH 3000 B
 Model 2007 - Single circuit operating system
 drawing lk070622

STENSBALLE

Rotary mower type TH 3000B

Model 2007 - Single circuit operating system
drawing lk070622

<i>Pos.</i>	<i>Description</i>	<i>Ps.</i>	<i>Number</i>	<i>Remarks</i>
1	Operating hose no. 1	1	03-4CE-050	All
2	Operating hose no. 2	2	03-4CQ-080	55 - 65 L/min
	Operating hose no. 2	2	03-4CC-080	70 - 75 L/min
3	Operating hose no. 3	2	03-4CQ-087	55 - 65 L/min
	Operating hose no. 3	2	03-4CC-087	70 - 75 L/min
4	Operating hose no. 4	1	03-4EQ-040	55 - 65 L/min
	Operating hose no. 4	1	03-4CE-040	70 - 75 L/min
5	Operating hose no. 5	1	03-4CE-073	All
6	Operating hose no. 6	1	03-4EE-095	All
7	Operating hose no. 7	1	03-4EQ-040	55 - 65 L/min
	Operating hose no. 7	1	03-4CE-040	70 - 75 L/min
8	Operating hose no. 8	1	03-4CE-025	All
9	Hose bracket - left	1	78-001-371	
	Hose bracket - right	1	78-001-372	
10	Hydraulic motor - right turning	3	GMR22A	55 L/min
	Hydraulic motor - right turning	3	GMR25A	60 - 65 L/min
	Hydraulic motor - right turning	3	GMR28A	70 - 75 L/min
11	Hydraulic motor - left turning	2	GMR22C	55 L/min
	Hydraulic motor - left turning	2	GMR25C	60 - 65 L/min
	Hydraulic motor - left turning	2	GMR28C	70 - 75 L/min
12	Changing valve	2	DF20/3AC17	
13	Bulk head	6	32BP12	
14	Tee with nut	2	34BP12	
15	Right angle fitting with nut	4	06BB1212	
16	Right angle fitting with nut	6	06BB0808-1	55 - 65 L/min
	Right angle fitting with nut	6	06BB1212	70 - 75 L/min
17	Fitting	2	01BP12	
18	Fitting	4	02BP1208	55 - 65 L/min
	Fitting	4	01BP12	70 - 75 L/min
19	Bonded seal	2	42-000-034	3/4 BSP
20	Bonded seal	4	42-000-012	1/2 BSP
	Bonded seal	4	42-000-034	3/4 BSP

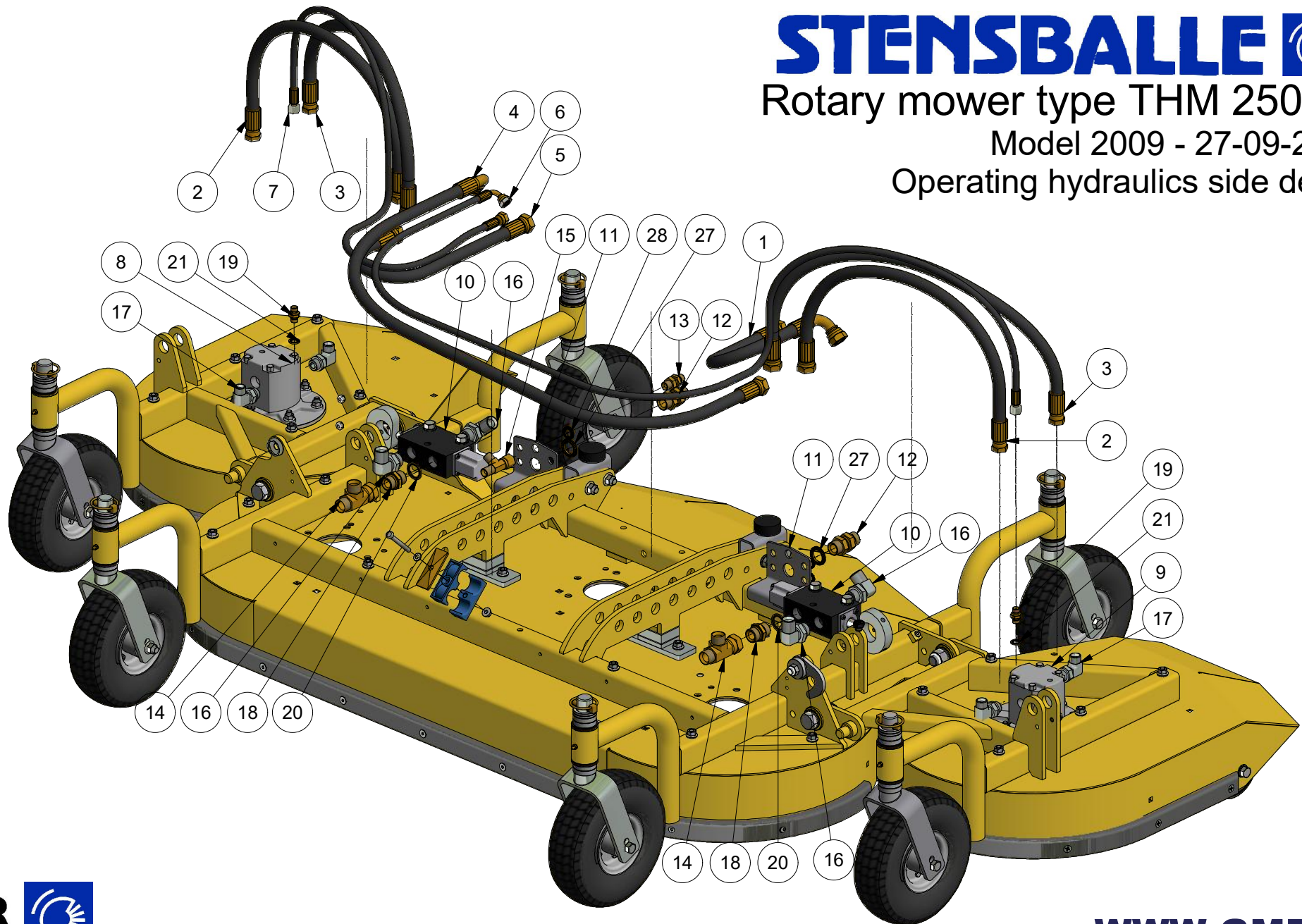
STENSBALLE



Rotary mower type THM 2500 B

Model 2009 - 27-09-2012

Operating hydraulics side decks



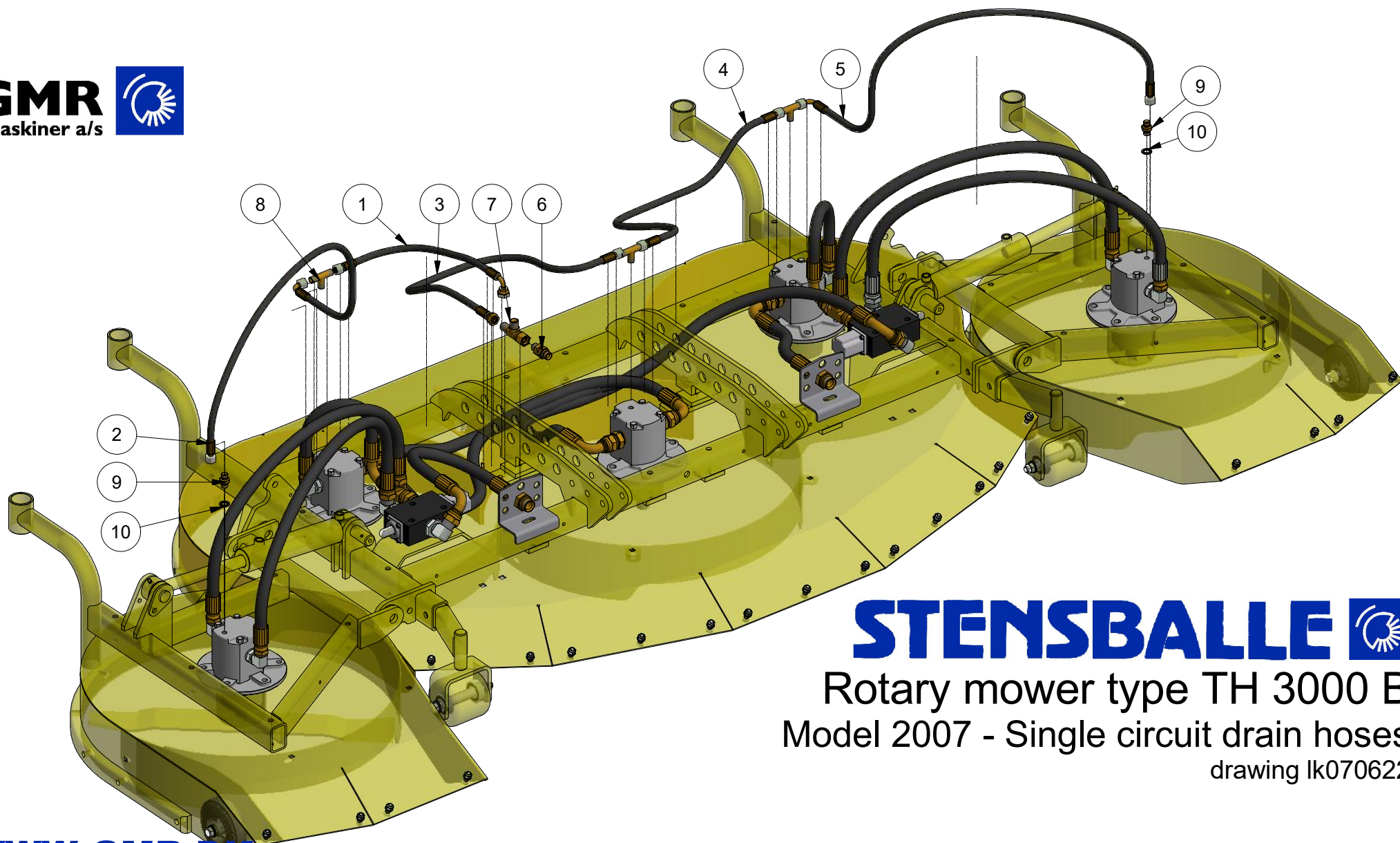
STENSBALLE

Rotary mower type TH 3000B

Model 2009 - 27.09.2012

Operating hydraulic side decks

<i>Pos.</i>	<i>Description</i>	<i>Ps.</i>	<i>Number</i>	<i>Remarks</i>
1	Operating hose no. 1	1	03-4CE-050	
2	Operating hose no. 2	2	03-4CQ-080	50 - 65 L/min
	Operating hose no. 2	2	03-4CC-080	70 - 75 L/min
3	Operating hose no. 3	2	03-4CQ-087	50 - 65 L/min
	Operating hose no. 3	2	03-4CC-087	70 - 75 L/min
4	Operating hose no. 4	1	03-4CE-155	All
5	Operating hose no. 5	1	03-4CC-055	All
6	Drain hose no. 1	1	03-11T-230	
7	Drain hose no. 2	1	03-113-130	
8	Hydraulic motor right-turning	1	GMR19A	50 L/min
		1	GMR22A	55 L/min
		1	GMR25A	60-65 L/min
		1	GMR28A	70-75 L/min
9	Hydraulic motor left-turning	1	GMR19C	50 L/min
		1	GMR22C	55 L/min
		1	GMR25C	60-65 L/min
		1	GMR28C	70-75 L/min
10	Changing valve	2	DF20/3AC17	
11	Hose bracket - left	1	78-001-371	
	Hose bracket - right	1	78-001-372	
12	Bulk head	2	32BP12	
13	Bulk head	1	32BP06	
14	Tee with nut	2	34BP12	
15	Tee with nut	1	34BP06	
16	Right angle fitting with nut	4	06BB1212	
17	Right angle fitting with nut	4	06BB0808-1	50 - 65 L/min
	Right angle fitting with nut	4	06BB1212	70 - 75 L/min
18	Fitting	2	01BP12	
19	Fitting	2	01BP04	
20	Bonded seal	2	42-000-034	
21	Bonded seal	6	42-000-014	



STENSBALLE



Rotary mower type TH 3000 B
Model 2007 - Single circuit drain hoses
drawing lk070622

STENSBALLE

Rotary mower type TH 3000B

Model 2007 - single circuit drain system

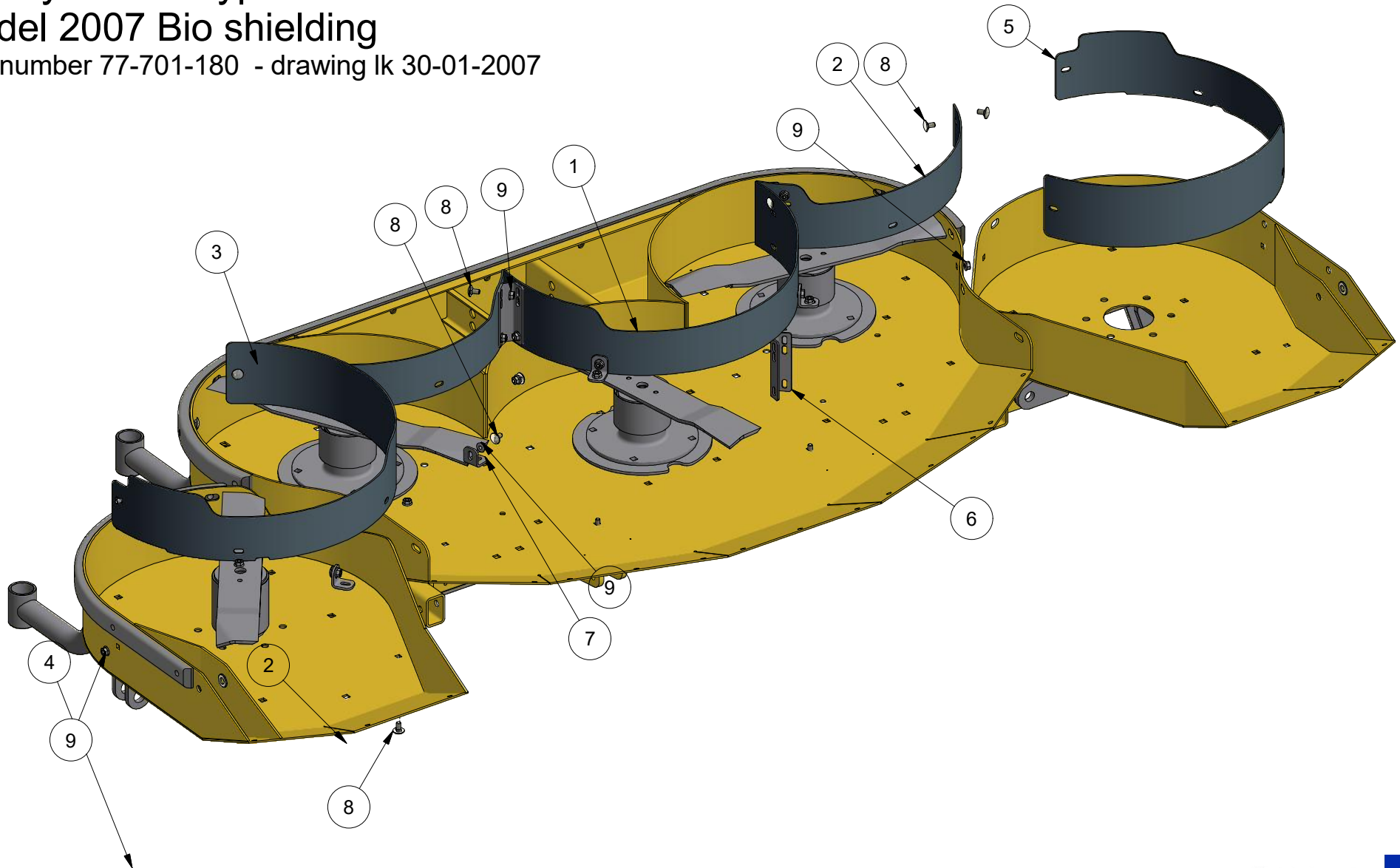
drawing lk070622

<i>Pos.</i>	<i>Description</i>	<i>Ps.</i>	<i>Number</i>	<i>Remarks</i>
1	Drain hose no. 1	1	03-11T-043	
2	Drain hose no. 2	1	03-112-100	
3	Drain hose no. 3	1	03-113-070	
4	Drain hose no. 4	1	03-111-075	
5	Drain hose no. 5	1	03-112-100	
6	Bulk head	2	32BP06	
7	Tee with nut	1	34BP06	
8	Tee	3	15BK04	
9	Fitting	4	01BP04	
10	Bonded seal	10	42-000-014	

Rotary mower type TH / THM 3000

Model 2007 Bio shielding

Part number 77-701-180 - drawing lk 30-01-2007



STENSBALLE

Rotary mower type TH/THM 3000B

Model 2007 Bio shielding

Part number 77-701-180 - drawing lk 19.05.2008

<i>Pos.</i>	<i>Description</i>	<i>Ps.</i>	<i>Number</i>	<i>Remarks</i>
1	Grass lead plate - center	1	77-411-781	
2	Grass lead plate - center/left	1	77-701-182	
3	Grass lead plate - center/right	1	77-701-183	
4	Grass lead plate - right	1	77-701-184	
5	Grass lead plate - left	1	77-701-185	
6	Between bracket	2	77-502-786	
7	Right angle bracket	6	18-220-704	
8	Cup square bolt	26	30-108-016	
9	Flanged nut	26	31-601-008	

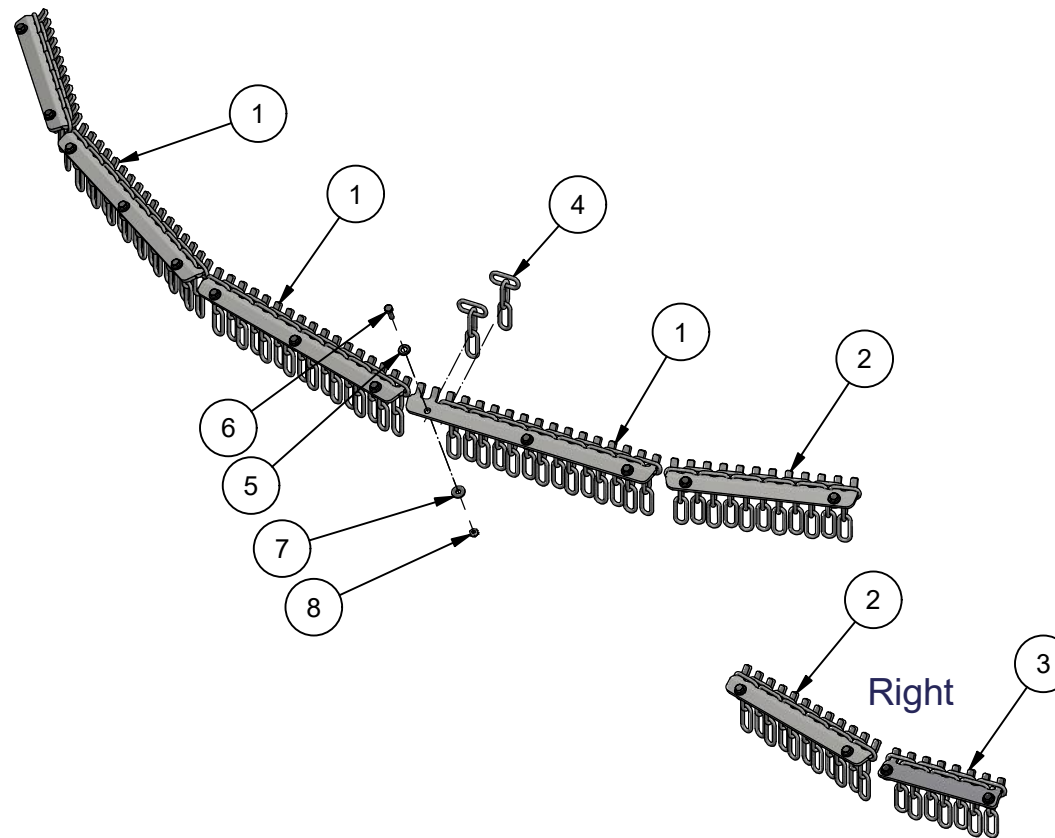
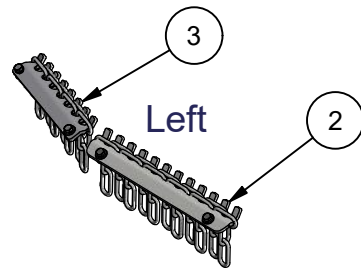
STENSBALLE

Kæderække komplet - Chain guard - Kettenabschirmung

77-701-593 TH/THM 2500 B/C

77-701-594 TH/THM 3000 B/C

22/4-2019 KJ



GMR 
Care for the ground

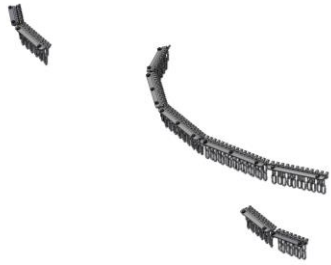
STAMA

STENSBALLE

NESBO

ELKÆR





77-701-594 Kæderække komplet Chain guard / Kettenabschirmung TH/THM 3000 B/C

22/4-2020 KJ

STENSBALLE 

Pos.	Benævnelse	Designation	Gegenstand	#	Partnr.	Note
1	Holder for kædeled midt/inder	Bracket for chain link center	Halter f. Kett.gelenk mitt/inn	3	77-701-505	
2	Holder for kædeled midt/yder	Bracket for chain link mid/outer	Halter f.Kett.gelenk mitt/auss	4	77-701-506	
3	Holder for kædeled side/yder	Bracket f. chain link side furthest	Halter f.Kett.Gelenk auss.Seiten	2	77-701-510	
4	Kædeled for Triplex	three chain links	drei Kettenglieder	106	22-905-003	
5	Facetskive	Washer	U.Scheibe	21	36-300-006	
6	Sætskrue	Set screw	Stellschraube	21	29-106-020	M6 x 20
7	Skærmskive	Washer	U. Scheibe	21	36-250-006	DIN 9021
8	Låsemøtrik	Locking nut	Sicherungsmutter	21	31-101-006	