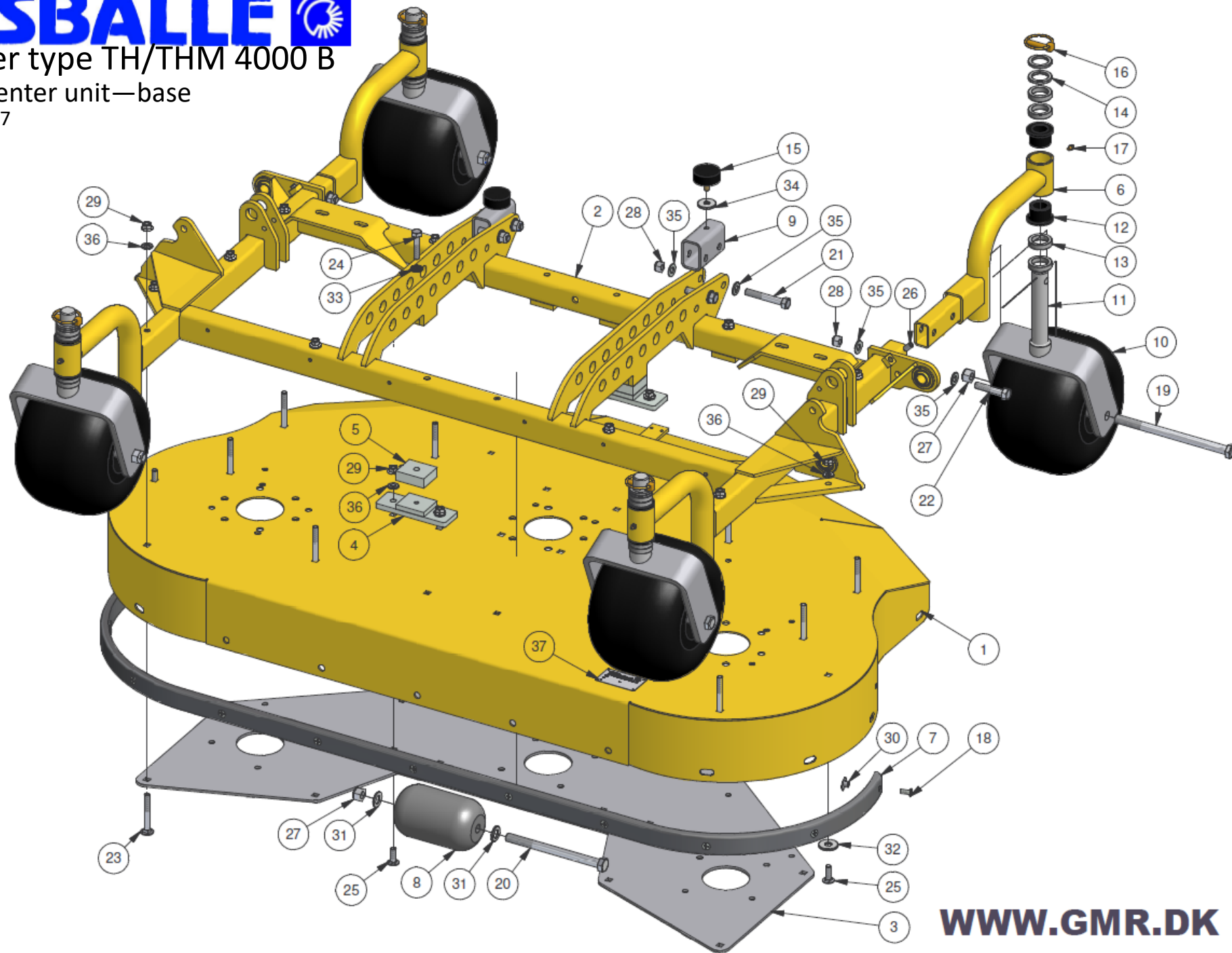


# STENSBALLE

Rotary mower type TH/THM 4000 B

Model 2007—Center unit—base

Drawing lk 19-06-2007



# STENSBALLE

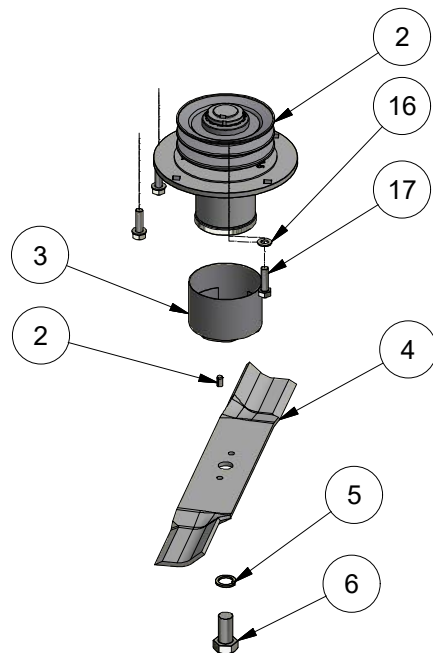
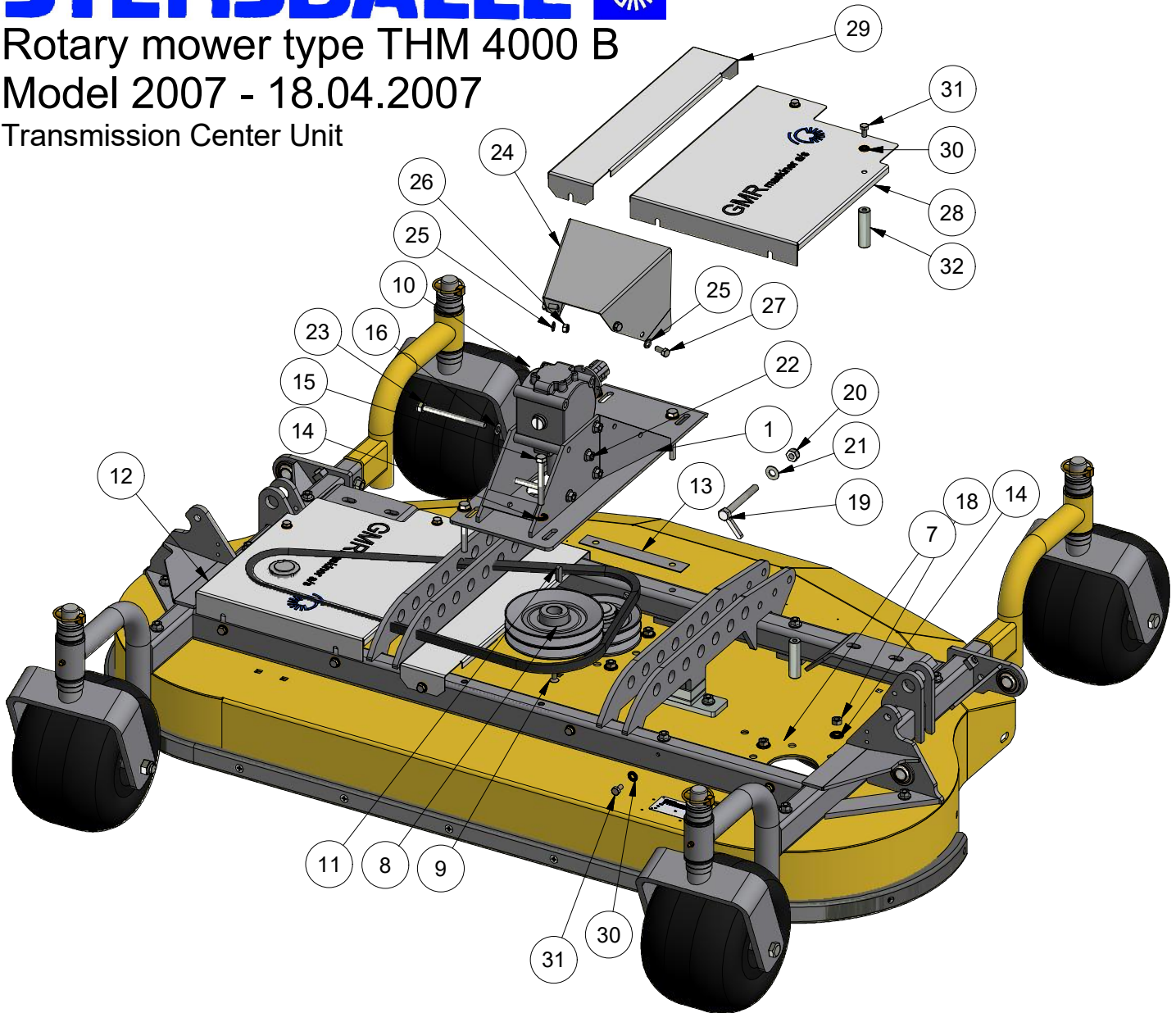
Rotary mower type TH/THM 4000

Model 2007 - Center unit - base

drawing lk070619

<i>Pos.</i>	<i>Description</i>	<i>Ps.</i>	<i>Number</i>	<i>Remarks</i>
1	Rotary shield - center	1	77-701-110	
2	Main frame - center	1	77-703-160	
3	Support bracket - center	1	77-703-190	
4	Mounting bracket	2	77-604-830	
5	Distance plate	2	77-604-802	
6	Wheel bracket - straight	2	77-701-270	
7	Sliding shine	1	77-701-101	
8	Roll - POM	1	128545	
9	Puffer profile	2	77-411-501	
10	Pneumatic wheel	4	19-141-117	
11	Wheel fork	4	33-530-200	
12	Flanged bush	8	91-72-081	
13	Spacer	16	210259	10 mm
14	Spacer	8	210259-1	5 mm
15	Rubber Puffer	2	91-25-126	
16	Tension pin	4	38-000-011	
17	Greaser	4	57-000-008	
18	Unbraco screw	11	32-008-025	
19	Bolt	4	28-116-240	
20	Bolt	1	28-116-200	
21	Bolt	4	28-112-080	
22	Bolt	2	28-112-060	
23	Cup square bolt	10	30-110-080	
24	Bolt	2	28-110-050	
25	Cup square bolt	6	30-110-030	
26	Stop screw	2	32-212-020	
27	Lock nut	5	31-101-016	
28	Lock nut	6	31-101-012	
29	Flanged nut	16	31-601-010	
30	Welding nut with flange	11	31-800-008	
31	Washer	2	36-300-016	
32	Washer - heavy duty	4	36-140-012	
33	Contact washer	2	35-200-010	
34	Washer - heavy duty	2	36-140-010	
35	Washer	12	36-300-012	
36	Washer	16	36-300-010	
37	Number plate	1	nummerplade	Inform machine number

Rotary mower type THM 4000 B  
 Model 2007 - 18.04.2007  
 Transmission Center Unit



# STENSBALLE

Rotary mower type THM 4000

Model 2007 - 18.04.2007

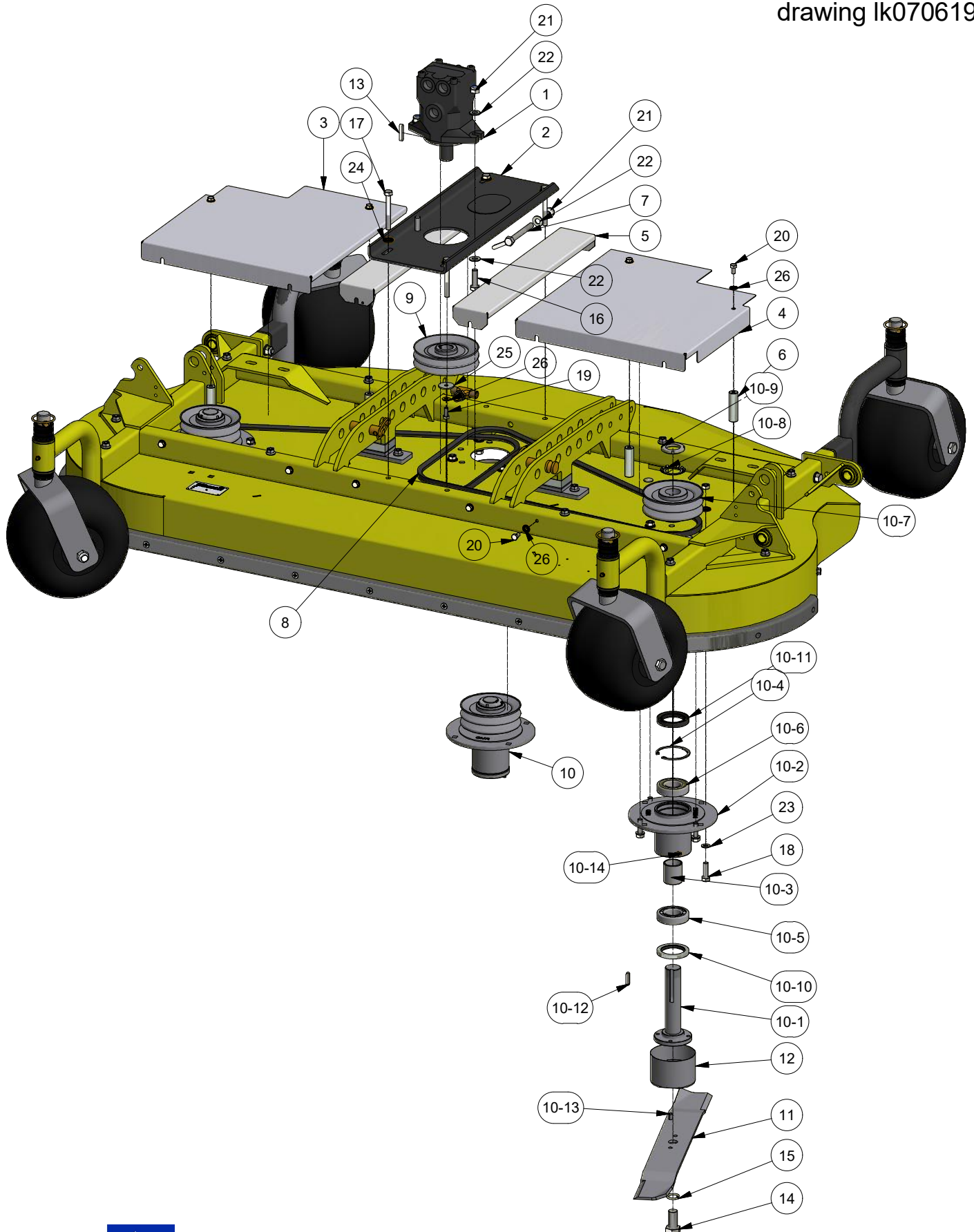
Transmission center unit

<i>Pos.</i>	<i>Description</i>	<i>Ps.</i>	<i>Number</i>	<i>Remarks</i>
1	Gearbox console	1	77-411-670	1000 RPM
1	Gearbox console	1	77-411-675	750 RPM
2	Bearing housing - complete	3	68-103-176	
3	Protector cup	3	210224	
4	Knife - right turning	3	04-212-210	Normal
4	Knife - right turning	3	04-212-230	Low lift
4	Knife - right turning	3	04-212-235	Gator
5	Spring washer	3	35-000-020	
6	Set screw	3	29-220-040	
7	V-belt	2	10-003-070	
8	Belt pulley - gearbox	1	81-532-150	
9	Unbraco screw	1	32-008-020	
10	Right angle gearbox	1	S1018053G122	1000 RPM
	Right angle gearbox	1	124029	750 RPM
11	Parallel key	1	34-108-730	
12	Shield - right/outher	1	77-703-104	
13	Spacer for gearbox console	2	77-604-806	
14	Contact washer	16	35-200-010	
15	Bolt	4	28-110-085	
16	Washer	16	36-300-010	
17	Set screw	12	29-110-035	
18	Nut	12	31-001-010	
19	Tension bolt	1	77-605-130	
20	lock nut	1	31-101-012	
21	Washer	1	36-300-012	
22	Flanged nut	4	31-601-010	
23	Bolt	4	28-110-120	
24	PTO-cover	1	77-502-607	
25	Washer	8	36-300-008	
26	lock nut	4	31-101-008	
27	Set screw	8	29-108-020	
28	Shield - left/outher	1	77-703-103	
29	Shield - inner	2	77-703-102	
30	Contact washer	16	35-200-008	
31	Set screw	12	29-108-016	
32	Spacer for shield	4	77-502-918	

## Rotary mower type TH 4000 B

Model 2007 - Transmission

drawing lk070619



# STENSBALLE

Rotary mower type TH 4000

Model 2007 - Transmission

drawing lk070619

<i>Pos.</i>	<i>Description</i>	<i>Ps.</i>	<i>Number</i>	<i>Remarks</i>
1	Hydraulic motor	1	M4MF34-3-B4R85	
2	Motor console	1	77-703-170	
3	Shield - right/outher	1	77-703-104	
4	Shield - left/outher	1	77-703-103	
5	Shield - inner	2	77-703-102	
6	Spacer for shield	4	77-502-918	
7	Tension bolt	1	77-605-130	
8	V-belt	2	10-003-070	
9	Belt pulley - 125 mm	1	18-200-720	
10	Bearing housing - complete	3	68-103-176	
10-1	Rotary shaft	3	15-206-450	
10-2	Bearing housing	3	210160-5	
10-3	Spacer	3	56-135-046	
10-4	Locking ring $\varnothing 72$	3	20-002-072	
10-5	Ball bearing	3	54-036-207	Bottom
10-6	Ball bearing	3	54-016-207	Top
10-7	Belt pulley	3	11-732-125	
10-8	Locking washer	3	35-100-035	
10-9	Locking nut	3	31-300-035	
10-10	Stuffing box	3	14-725-008	
10-11	Stuffing box	3	14-507-210	
10-12	Parallel key	3	34-108-730	
10-13	Cylinder pin	6	38-508-016	
10-14	Greaser	3	57-000-008	
11	Knife - right turning	3	04-212-210	Normal
	Knife - right turning	3	04-212-230	Low lift
	Knife - right turning	3	04-212-235	Gator
12	Protector cup	3	210224	
13	Parallel key	1	34-108-740	
14	Set screw	3	29-220-040	
15	Spring washer	3	35-000-020	
16	Set screw	6	29-112-040	
17	Bolt	4	28-110-085	
18	Set screw	12	29-110-035	
19	Set screw	5	29-108-020	
20	Set screw	12	29-108-016	

# STENSBALLE

Rotary mower type TH 4000

Model 2007 - Transmission

drawing lk070619

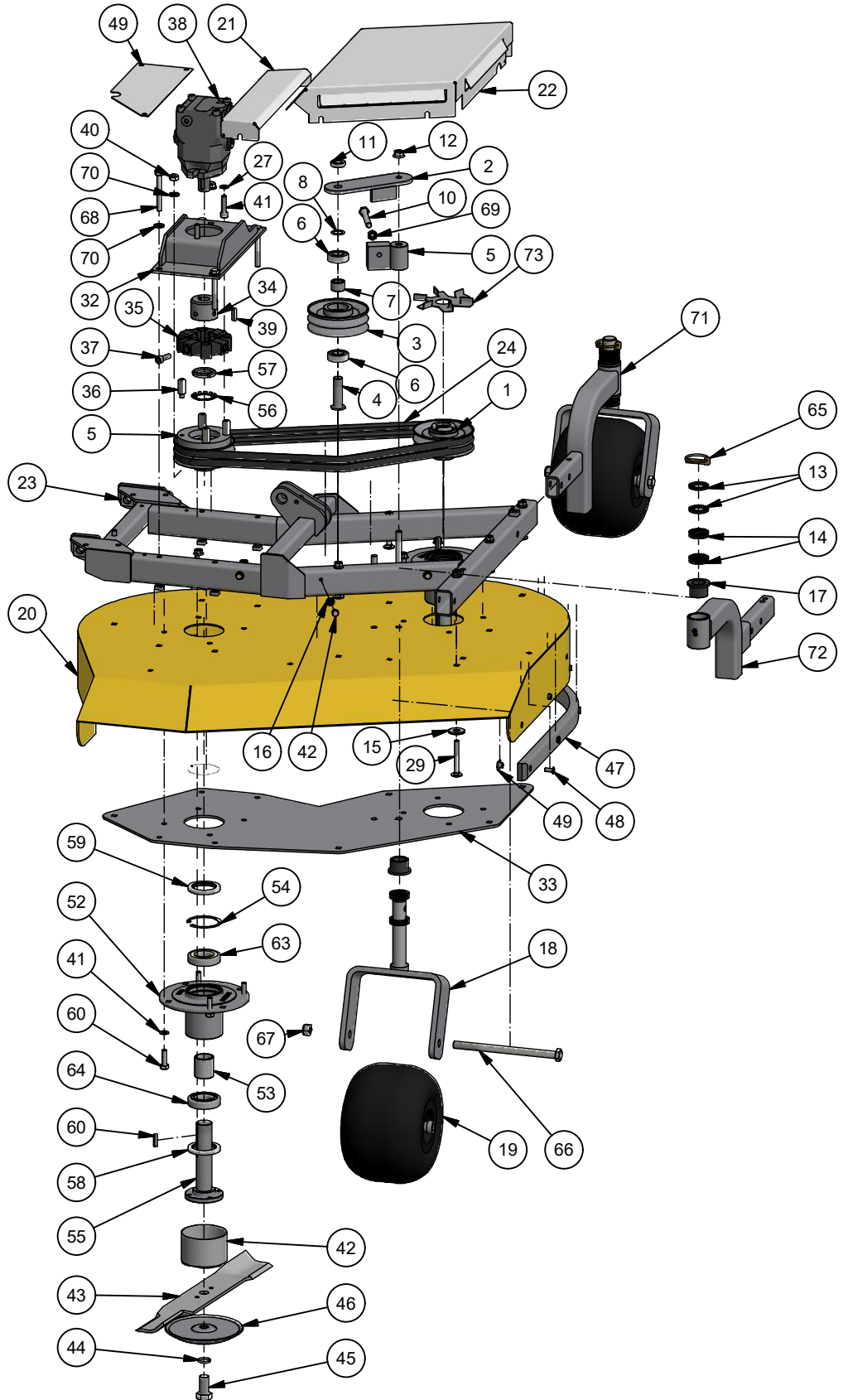
<i>Pos.</i>	<i>Description</i>	<i>Ps.</i>	<i>Number</i>	<i>Remarks</i>
21	Lock nut	1	31-101-012	
22	Washer	19	36-300-012	
23	Washer	28	36-300-010	
24	Contact washer	26	35-200-010	
26	washer	1	36-200-008	
27	Contact washer	19	35-200-008	

# STENSBALLE

Rotary mower type TH/THM 4000 B

Model 2008 - Right side wing

drawing lk 25-02-2008





# STENSBALLE

Rotary mower type TH/THM 4000

model 2007 - Right side deck

drawing lk 25-02-2008

<i>Pos.</i>	<i>Description</i>	<i>Ps.</i>	<i>Number</i>	<i>Remarks</i>
1	Belt pulley	1	11-732-125	
2	Tension arm - right	1	77-808-360	
3	Tension pulley	1	77-808-301	
4	Center bolt for tension arm	1	77-802-604	
5	Base for tension arm - right	1	77-808-380	
6	Ball bearing	2	54-026-204	
7	Spacer	1	77-802-606	
8	Shim	1	36-920-010	
9	Cup square bolt	1	30-112-085	
10	Set screw	1	29-112-090	
11	Lock nut	1	31-201-020	
12	Flanged nut	1	31-601-012	
13	Spacer	4	210259-1	5 mm
14	Spacer	8	210259	10 mm
15	Washer - heavy	1	36-140-012	
16	Contact washer	6	35-200-008	
17	Flanged bush	4	91-72-081	
18	Wheel fork	2	33-530-200	
19	Pneumatic wheel	2	19-141-117	
20	Rotary deck - right	1	77-703-130	
21	Not in use			
22	Outher shield - right	1	77-808-807	
23	Main frame - right	1	77-904-440	
24	V-belt	2	10-003-064	
25	Belt pulley for coupling	1	15-215-400	
26	Greaser	2	57-000-008	
27	Washer	15	36-300-010	
28	Flanged nut	15	31-601-010	
29	Cup square bolt	5	30-110-080	
30	Sliding shine	1	77-703-101	
31	Set screw	8	29-110-035	
32	Motor console	1	77-703-150	
33	Suport bracket - right	1	77-703-196	
34	Clutch hub	1	15-222-400	
35	Rubber clutch	1	CFA012-0-S-60	
36	Plug bolt	4	CFA008-SB	

# STENSBALLE

Rotary mower type TH/THM 4000

model 2007 - Right side deck

drawing lk 25-02-2008

<i>Pos.</i>	<i>Description</i>	<i>Ps.</i>	<i>Number</i>	<i>Remarks</i>
37	Unbraco bolt - round head	4	32-110-030	
38	Hydraulic motor	1	M4MF34-3 B4R	
39	Parallel key	1	34-108-730	
40	Lock nut	2	31-101-012	
41	Unbraco bolt - round head	2	32-112-040	
42	Protector cup	2	210224	
43	Knife - right turning	2	04-212-210	Normal
	Knife - right turning	2	04-212-220	Low Lift
	Knife - right turning	2	04-212-255	Gator 3 in 1
44	Spring washer	2	35-000-020	
45	Set screw	2	29-220-040	
46	Sliding plate	2	77-206-100	
47	Unbraco bolt countersink	8	32-008-025	
48	Welding nut with flange	8	31-800-008	
49	Closing guard	1	77-703-105	
50	Set screw	6	29-108-016	
51	Screw	4	29-914-016	
52	Bearing housing	2	210160-5	
53	Spacer	2	56-135-046	
54	Lock ring $\varnothing 72$	2	20-002-072	
55	Rotary shaft	2	15-206-450	
56	Lock washer	2	35-100-035	
57	Lock nut	2	31-300-035	
58	Stuffing box	2	14-725-008	
59	Stuffing box	2	14-507-210	
60	Parallel key	2	34-108-730	
61	Cylinder pin	4	38-508-016	
62	Greaser	2	57-000-008	
63	Ball bearing	2	54-036-207	Bottom
64	Ball bearing	2	54-016-207	Top
65	Tension pin	2	38-000-011	
66	Bolt	2	28-116-240	
67	Lock nut	2	31-101-016	
68	Bolt	4	28-110-085	
69	Nut	1	31-001-012	
70	Contact washer	6	35-200-010	

# STENSBALLE

Rotary mower type TH/THM 4000

model 2007 - Right side deck

drawing lk 25-02-2008

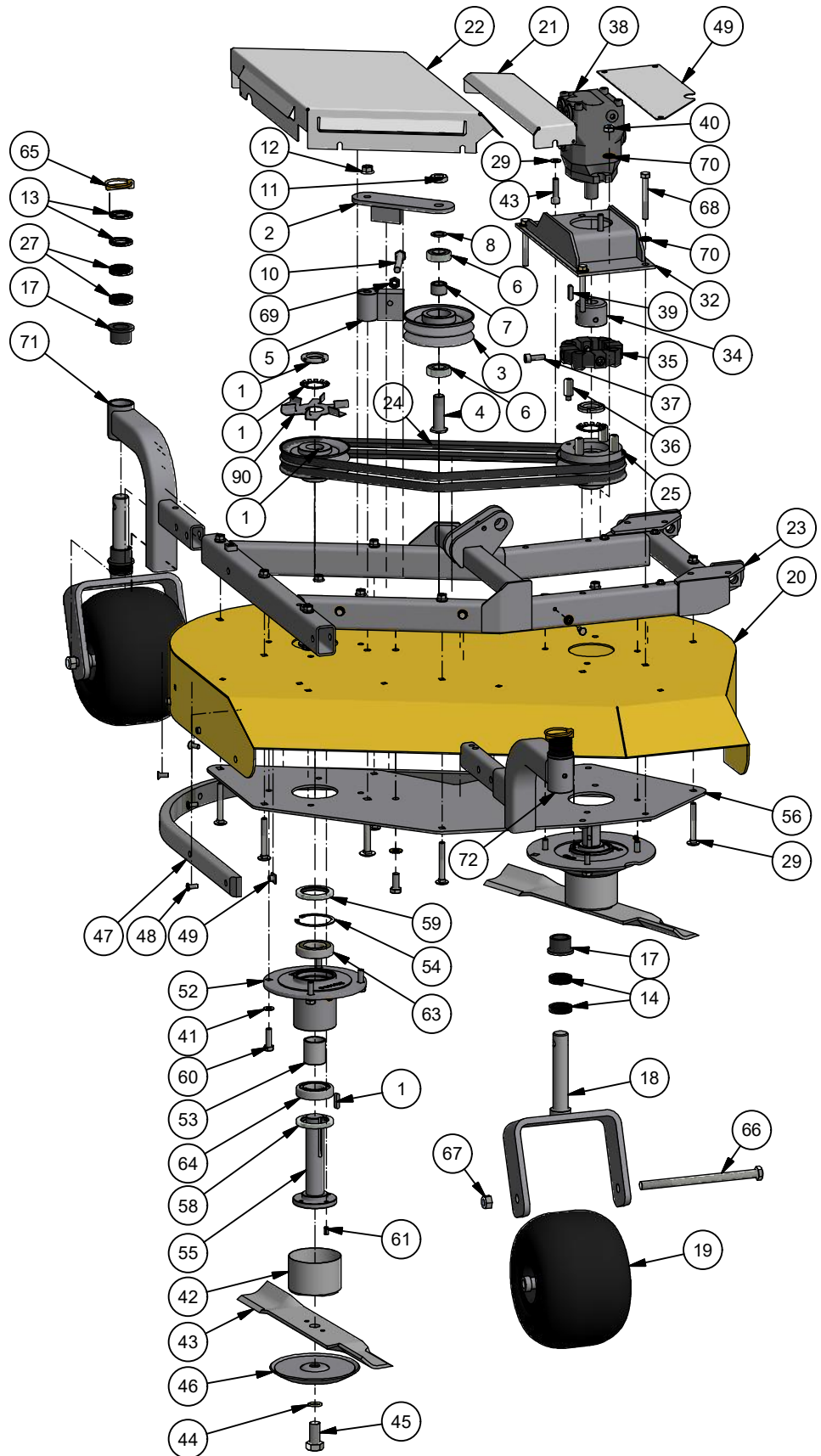
<i>Pos.</i>	<i>Description</i>	<i>Ps.</i>	<i>Number</i>	<i>Remarks</i>
71	Wheel bracket - front	1	77-904-170	
72	Wheel bracket - rear	1	77-901-710	
73	Fan - right	1	77-808-303	

# STENSBALLE

Rotary mower type TH/THM 4000 B

Model 2008 - Left side wing

drawing lk 25-02-2008



# STENSBALLE

Rotary mower type TH/THM 4000

model 2007 - Left side deck

drawing Is070419

<i>Pos.</i>	<i>Description</i>	<i>Ps.</i>	<i>Number</i>	<i>Remarks</i>
1	Belt pulley	1	11-732-125	
2	Tension arm - left	1	77-808-370	
3	Tension pulley	1	77-808-301	
4	Center bolt for tension arm	1	77-802-604	
5	Base for tension arm - left	1	77-808-390	
6	Ball bearing	2	54-026-204	
7	Spacer	1	77-802-606	
8	Shim	1	36-920-010	
9	Cup square bolt	1	30-112-085	
10	Set screw	1	29-112-090	
11	Lock nut	1	31-201-020	
12	Flanged nut	1	31-601-012	
13	Spacer	4	210259-1	5 mm
14	Spacer	8	210259	10 mm
15	Washer - heavy	1	36-140-012	
16	Contact washer	6	35-200-008	
17	Flanged bush	4	91-72-081	
18	Wheel fork	2	33-530-200	
19	Pneumatic wheel	2	19-141-117	
20	Rotary deck - left	1	77-703-110	
21	Not in use			
22	Outher shield - left	1	77-808-806	
23	Main frame - left	1	77-904-420	
24	V-belt	2	10-003-064	
25	Belt pulley for coupling	1	15-215-400	
26	Greaser	2	57-000-008	
27	Washer	15	36-300-010	
28	Flanged nut	15	31-601-010	
29	Cup square bolt	5	30-110-080	
30	Sliding shine	1	77-703-101	
31	Set screw	8	29-110-035	
32	Motor console	1	77-703-150	
33	Suport bracket - left	1	77-703-195	
34	Clutch hub	1	15-222-400	
35	Rubber clutch	1	CFA012-0-S-60	
36	Plug bolt	4	CFA008-SB	

# STENSBALLE

Rotary mower type TH/THM 4000

model 2007 - Left side deck

drawing Is070419

<i>Pos.</i>	<i>Description</i>	<i>Ps.</i>	<i>Number</i>	<i>Remarks</i>
37	Unbraco bolt - round head	4	32-110-030	
38	Hydraulic motor	1	M4MF34-3 B4R	
39	Parallel key	1	34-108-730	
40	Lock nut	2	31-101-012	
41	Unbraco bolt - round head	2	32-112-040	
42	Protector cup	2	210224	
43	Knife - left turning	2	04-212-240	Normal
	Knife - left turning	2	04-212-230	Low Lift
	Knife - left turning	2	04-212-245	Gator 3 in 1
44	Spring washer	2	35-000-020	
45	Set screw	2	29-220-040	
46	Sliding plate	2	77-206-100	
47	Unbraco bolt countersink	8	32-008-025	
48	Welding nut with flange	8	31-800-008	
49	Closing guard	1	77-703-105	
50	Set screw	6	29-108-016	
51	Screw	4	29-914-016	
52	Bearing housing	2	210160-5	
53	Spacer	2	56-135-046	
54	Lock ring $\varnothing 72$	2	20-002-072	
55	Rotary shaft	2	15-206-450	
56	Lock washer	2	35-100-035	
57	Lock nut	2	31-300-035	
58	Stuffing box	2	14-725-008	
59	Stuffing box	2	14-507-210	
60	Parallel key	2	34-108-730	
61	Cylinder pin	4	38-508-016	
62	Greaser	2	57-000-008	
63	Ball bearing	2	54-036-207	Bottom
64	Ball bearing	2	54-016-207	Top
65	Tension pin	2	38-000-011	
66	Bolt	2	28-116-240	
67	Lock nut	2	31-101-016	
68	Bolt	4	28-110-085	
69	Nut	1	31-001-012	
70	Contact washer	6	35-200-010	

# STENSBALLE

Rotary mower type TH/THM 4000

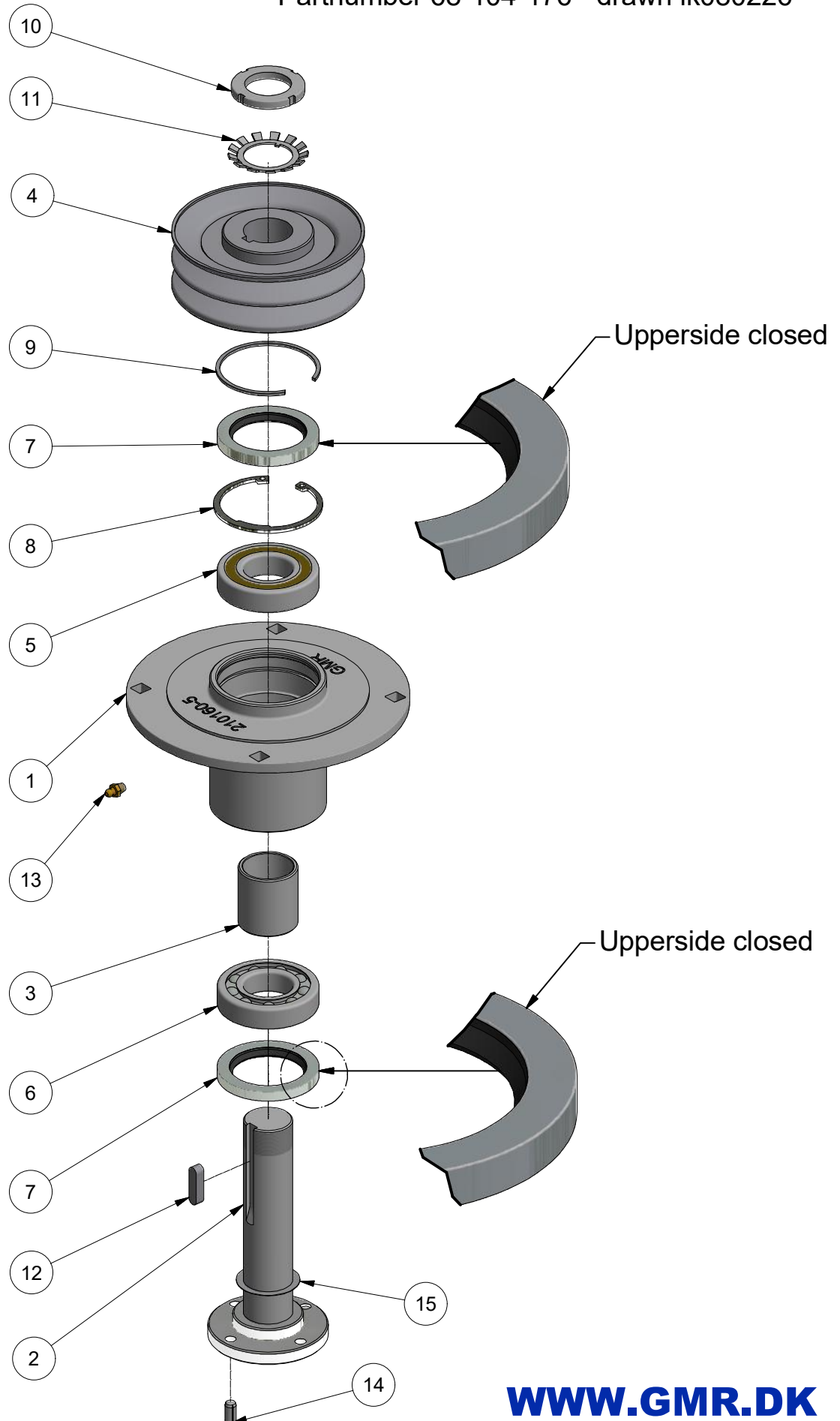
model 2007 - Left side deck

drawing Is070419

<i>Pos.</i>	<i>Description</i>	<i>Ps.</i>	<i>Number</i>	<i>Remarks</i>
71	Wheel bracket - front	1	77-904-170	
72	Wheel bracket - rear	1	77-901-710	
73	Fan - left	1	77-808-302	

## Housing and shaft unit - model 2008

Partnumber 68-104-176 - drawn Ik080226





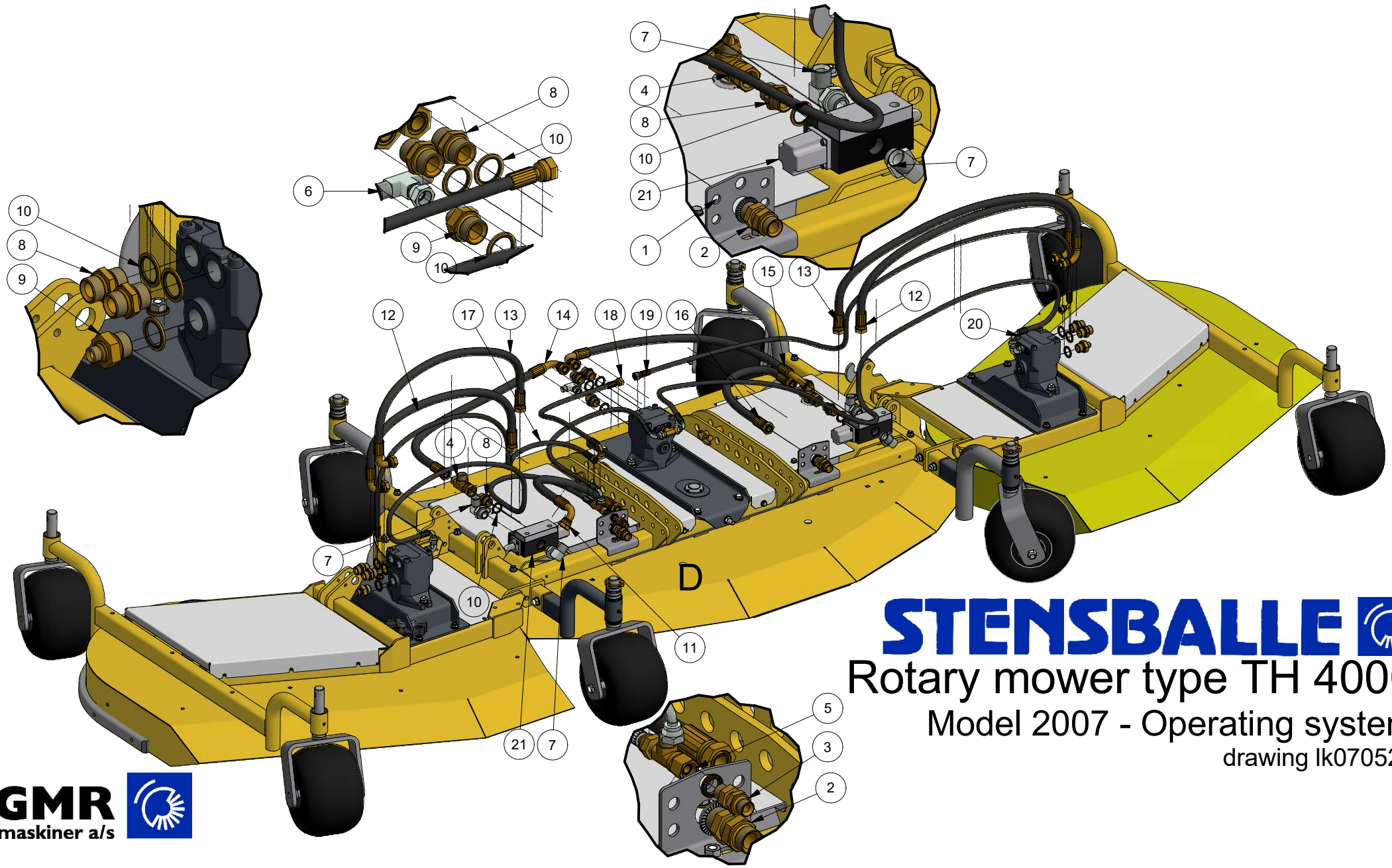
# STENSBALLE

## Bearing housing complete

Model 2008 - 19.05.2008

Spare part no. 68-104-176

<i>Pos.</i>	<i>Description</i>	<i>Ps.</i>	<i>Number</i>	<i>Remarks</i>
1	Bearing housing	1	210160-5	
2	Knife shaft	1	15-206-450	
3	Spacer	1	56-135-046	
4	Belt pulley	1	11-732-125	
5	Ball bearing	1	54-016-207	Top
6	Ball bearing	1	54-036-207	Bottom
7	Stuffing box	2	14-725-008	
8	Locking ring	1	20-002-072	
9	Locking ring Ø72	1	SB 72	
10	Locking nut	1	31-300-035	
11	Loching washer	1	35-100-035	
12	Parallel key	1	34-108-730	
13	Greaser	1	57-000-008	
14	Cylinder pin	2	38-508-016	



**STENSBALLE**   
Rotary mower type TH 4000  
Model 2007 - Operating system  
drawing lk070522

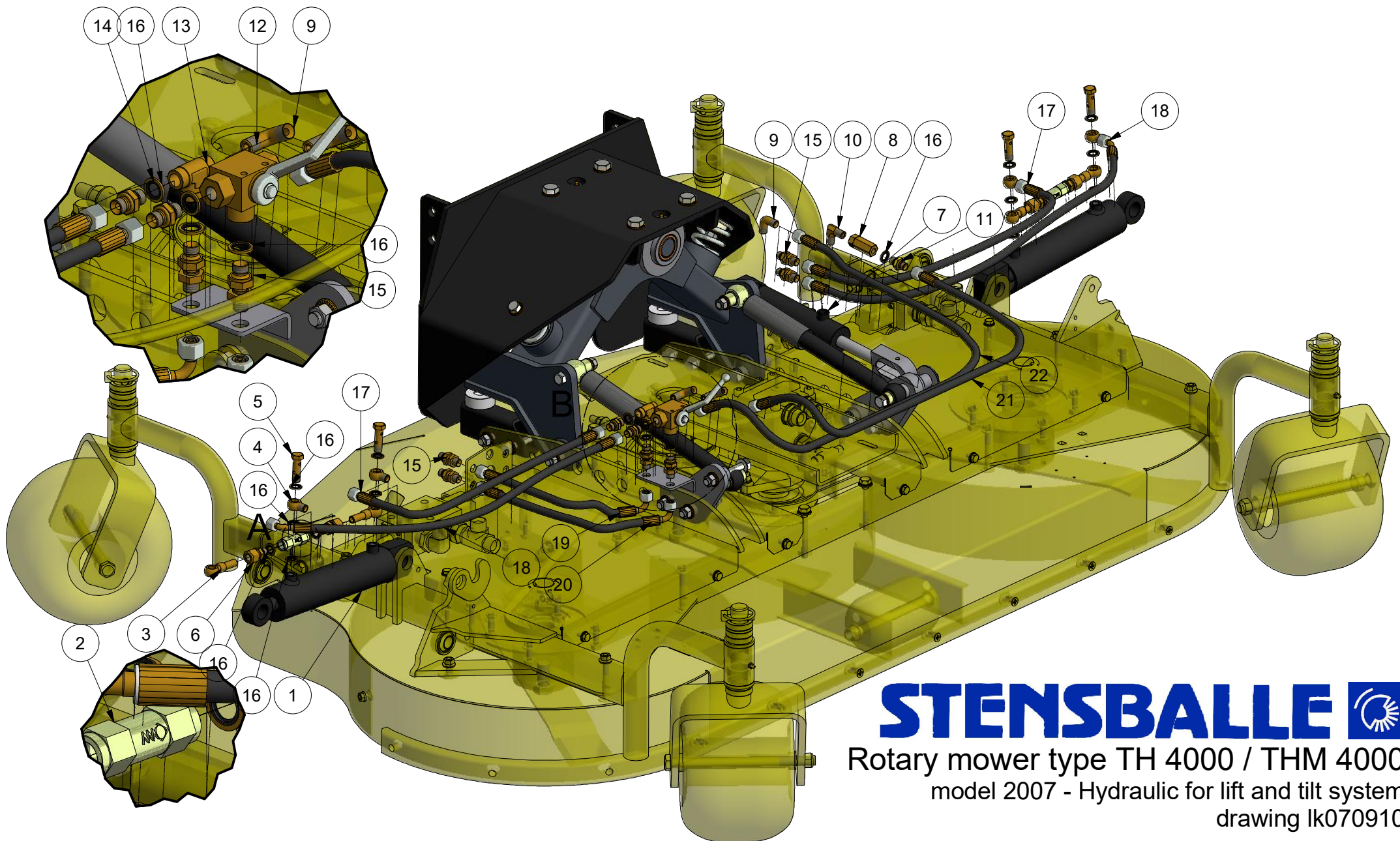
# STENSBALLE

Rotary mower type TH 4000

model 2007 - Operating system

drawing lk070524

<i>Pos.</i>	<i>Description</i>	<i>Ps.</i>	<i>Number</i>	<i>Remarks</i>
1	Hose bracket	2	77-502-504	
2	Bulk head	2	32BP12	
3	Bulk head	1	32BP06	
4	Tee with nut	2	34BP12	
5	Tee with nut	1	34BP06	
6	Tee with nut	1	14BP06	
7	Right angle fitting with nut	4	06BB1212	
8	Fitting	8	01BP12	
9	Fitting	3	02BP1206	
10	Bonded seal	11	42-000-034	
11	Operating hose no. 1	1	03-4CE-050	
12	Operating hose no. 2	2	03-4CE-095	
13	Operating hose no. 3	2	03-4CE-102	
14	Operating hose no. 4	1	03-4CE-065	
15	Operating hose no. 5	1	03-4EE-077	
16	Operating hose no. 6	1	03-4CC-053	
17	Drain hose no. 1	1	03-13T-150	
18	Drain hose no. 2	1	03-13T-065	
19	Drain hose no. 3	1	03-13T-180	
20	Hydraulic motor	3	M4MF34-3-B4R85	
21	Changing valve	2	IF3-4NS1	3/4 inch BSP



**STENSBALLE** 

Rotary mower type TH 4000 / THM 4000  
 model 2007 - Hydraulic for lift and tilt system  
 drawing lk070910

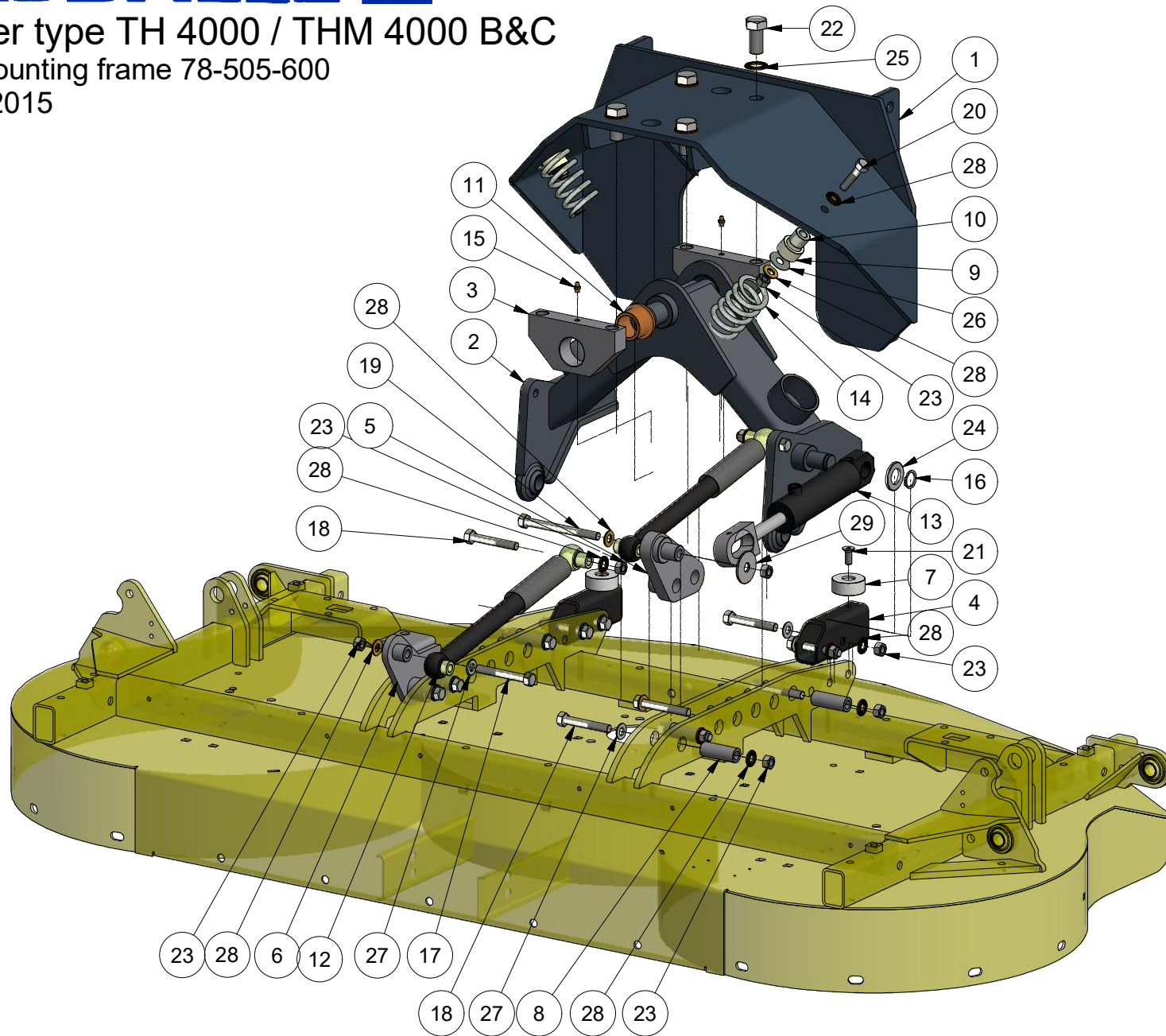
# STENSBALLE

Rotary mower type TH 4000  
model 2007 - Double acting lift system  
drawing lk070524

<i>Pos.</i>	<i>Description</i>	<i>Ps.</i>	<i>Number</i>	<i>Remarks</i>
1	Lift cylinder	2	77-703-610	
2	Check valve	2	4230-0419	Prestressed
3	Banjo with tube	4	77-411-607	
4	Banjo	4	42BP0404	
5	Double banjo bolt	4	53BP04	
6	Transition piece	4	A12LR1-4	1/4in - ø12mm
7	Tilt cylinder	1	77-707-440	
8	Safety valve	1	SBB04-LPM	
9	Right angle fitting	3	05BK04	
10	Right angle fitting	1	37BK04	
11	Fitting ø,8	1	01BP04-ø08	
12	Three-way valve	1	BK3-L-1113-1_4	
13	Tee	1	18BP04	
14	Fitting	2	01BP04	
15	Bulk head	6	32BP04	
16	Bonded seal	21	42-000-014	
17	Lift hose no. 1	2	03-111-055	
18	Lift hose no. 2	2	03-117-070	
19	Lift hose no. 3	1	03-112-030	
20	Lift hose no. 4	1	03-112-035	
21	Tilt hose no. 1	1	03-111-070	
22	Tilt hose no. 2	1	03-111-095	



Rotary mower type TH 4000 / THM 4000 B&C  
Model 2015 - Mounting frame 78-505-600  
Update kj 28/5-2015



# STENSBALLE

Rotary mower type TH/M 3500 + TH/M 4000 B

Model 2015 - Monunting frame 78-505-600

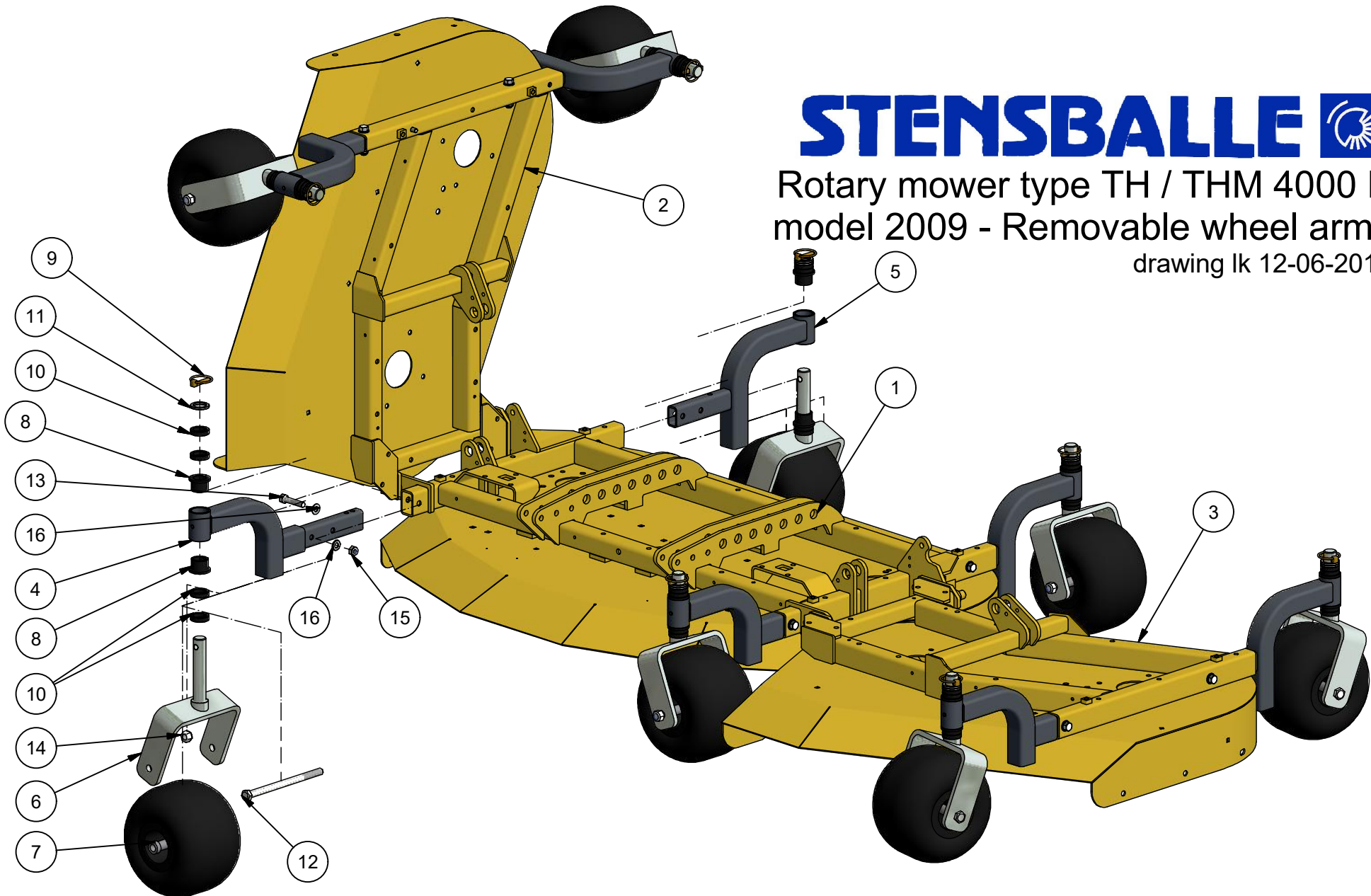
drawing kj15.05.28

<i>Pos.</i>	<i>Description</i>	<i>Ps.</i>	<i>Number</i>	<i>Remarks</i>
1	Intermediate frame	1	78-505-610	
2	Anchor bracket	1	77-707-420	
3	Bearing block	2	78-505-605	
4	Profile for rubber puffer	2	77-707-401	
5	Cylinder bracket - outhur	1	77-906-250	
6	Damper bracket	1	77-707-460	
7	Impactor	2	77-707-402	Nylon
8	Spacer	6	77-707-403	
9	Distance bush 20 mm	2	36-203-526	Nylon
10	Inner bush	2	77-707-404	
11	Flanged bearing	2	91-72-202	JF35x35
12	Damper	2	3-282259	
13	Tilt cylinder	1	77-707-440	
14	Pression spring	2	11440	
15	Greaser	2	57-000-008	
16	Lock ring	1	20-101-025	
17	Bolt	1	28-112-090	
18	Bolt	12	28-112-080	
19	Bolt	1	28-112-130	
20	Bolt	2	28-112-050	
21	Unbraco bolt	2	32-010-025	
22	Set screw	4	29-220-040	M20x1,5 x 40
23	Nut	16	31-001-012	
24	Washer	1	36-300-024	
25	Contact washer	4	35-200-020	
26	Washer	2	36-200-012	
27	Washer	11	36-300-012	
28	Contact washer	18	35-200-012	
29	Washer - heavy duty	1	36-150-012	

# STENSBALLE

Rotary mower type TH / THM 4000 B  
model 2009 - Removable wheel arms

drawing lk 12-06-2013





# STENSBALLE

Rotary mower type TH / THM 4000

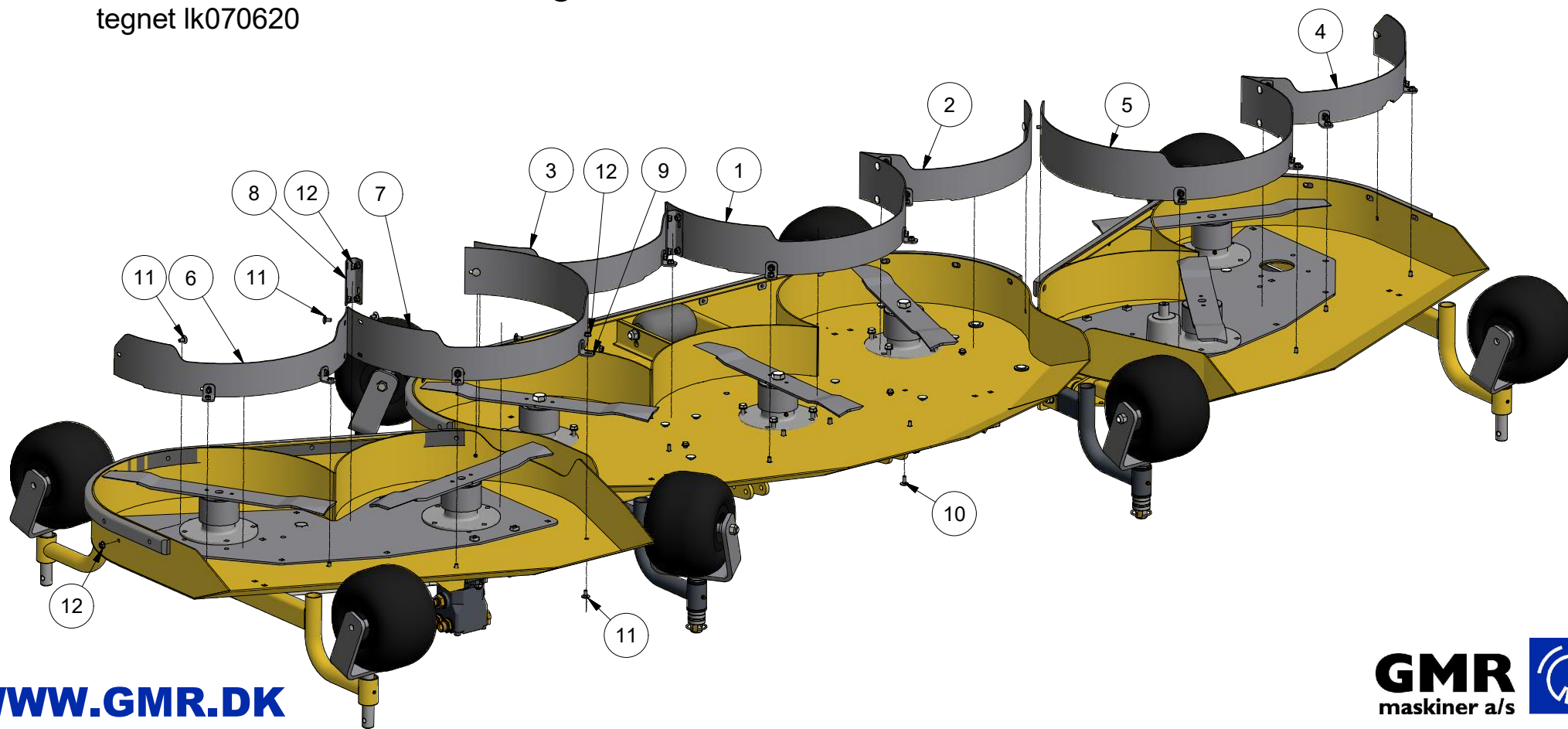
model 2007 - Removable wheel arms

drawing lk 12-06-2013

<i>Pos.</i>	<i>Description</i>	<i>Ps.</i>	<i>Number</i>	<i>Remarks</i>
1	Main frame - center	1	77-904-220	
2	Main frame - left	1	77-904-420	
3	Main frame - right	1	77-904-440	
4	Wheel bracket - straight	4	77-901-710	Bagerste
5	Wheel bracket - front	4	77-904-170	Forreste
6	Wheel fork - wide	8	33-530-200	
7	Pneumatic wheel	8	19-141-117	
8	Flanged bush	16	91-72-081	
9	Tension pin	8	38-000-011	
10	Spacer	32	210259	10 mm
11	Spacer	16	210259-1	5 mm
12	Bolt	8	28-116-240	
13	Bolt	8	28-112-060	
14	Lock nut	8	31-101-016	
15	Lock nut	8	31-101-012	
16	Washer	16	36-300-012	

# STENSBALLE

Rotary mower type TH / THM 4000 B  
model 2007 - bio shielding  
tegnet Ik070620



# STENSBALLE

Rotary mower type TH / THM 4000

model 2007 - bio shielding

Spare part number 77-703-180 - drawing lk070620

<i>Pos.</i>	<i>Description</i>	<i>Ps.</i>	<i>Number</i>	<i>Remarks</i>
1	Grass lead plate - center	1	77-703-186	
2	Grass lead plate - center/left	1	77-703-187	
3	Grass lead plate - center/right	1	77-703-188	
4	Grass lead plate - inner/right	1	77-703-181	
5	Grass lead plate - inner/left	1	77-703-182	
6	Grass lead plate - outhter/right	1	77-703-183	
7	Grass lead plate - outhter/left	1	77-703-184	
8	Between bracket	4	77-502-786	
9	Right angle bracket	12	18-220-704	
10	Cup square bolt	2	30-108-020	
11	Cup square bolt	44	30-108-016	
12	Flanged nut	46	31-601-008	